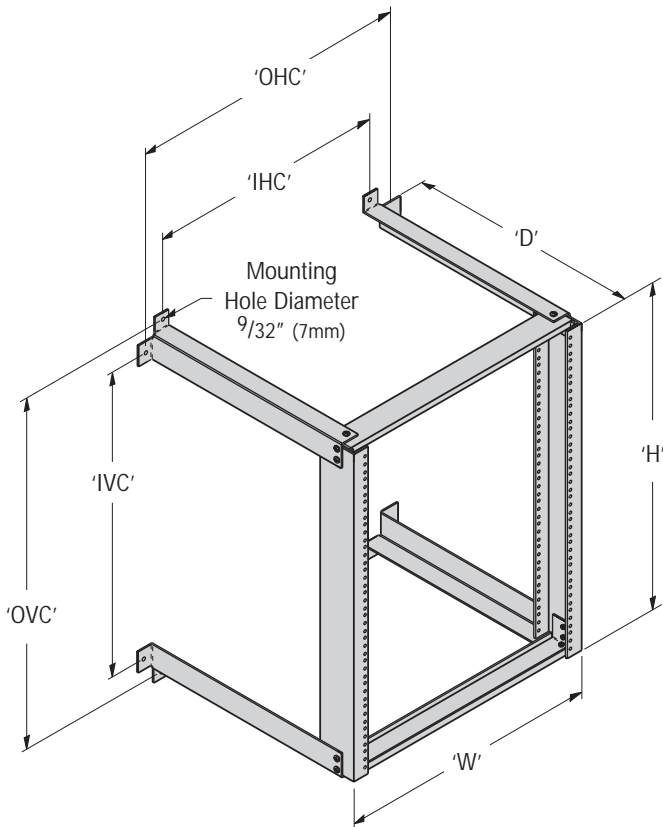


Wall Mount Relay Rack

The Wall Mount Relay Rack offers a economical solution for rack mounted equipment and patch panel installations where equipment and components do not require security.

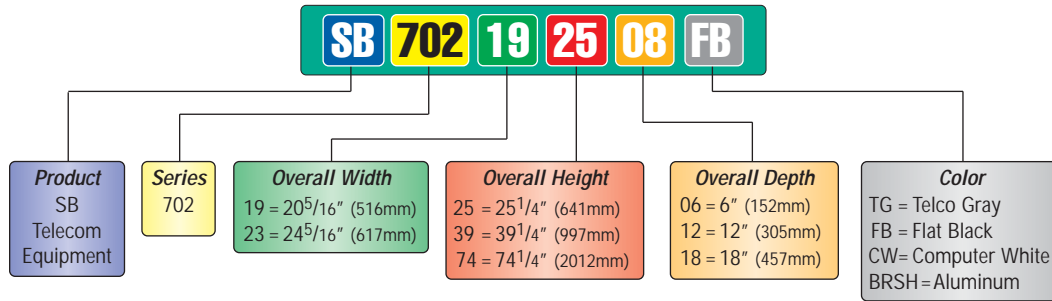
Features

- 19" or 23" EIA-310-D mounting rail system with #12-24 tapped holes
- Double sided universal ($\frac{5}{8}$ " (16mm), $\frac{5}{8}$ " (16mm), $\frac{1}{2}$ " (13mm)) mounting hole spacing
- 19" (482mm) and 23" (584mm) widths
- 14U = 25" (635mm), 22U = 39" (991mm) and 42U = 72" (1829mm) heights
- 100 lb. (45kg) load capacity
- 6" (152mm), 12" (305mm) and 18" (457mm) depths
- Material: 6061-T6 aluminum alloy
- Finish: Brushed Aluminum (BRSH)
Telco Gray Powder Coat (TG)
Flat Black Powder Coat (FB) or
Computer White Powder Coat (CW)



Mtg. U's	Mounting Hole Spacing							
	Horizontal Centers				Vertical Centers			
	Outside 'OHC'		Inside 'IHC'		Outside 'OVC'		Inside 'IVC'	
	in.	(mm)	in.	(mm)	in.	(mm)	in.	(mm)
For 20⁵/₁₆" (516mm) Rack Width								
14	21 ⁷ / ₈	555	18 ⁹ / ₁₆	471	27 ³ / ₁₆	690	23 ⁹ / ₁₆	598
22	21 ⁷ / ₈	555	18 ⁹ / ₁₆	471	41 ³ / ₁₆	1046	37 ⁹ / ₁₆	954
42	21 ⁷ / ₈	555	18 ⁹ / ₁₆	471	76 ³ / ₁₆	1935	72 ⁹ / ₁₆	1843
For 24⁵/₁₆" (617mm) Rack Width								
14	25 ⁷ / ₈	657	22 ⁹ / ₁₆	573	27 ³ / ₁₆	690	23 ⁹ / ₁₆	598
22	25 ⁷ / ₈	657	22 ⁹ / ₁₆	573	41 ³ / ₁₆	1046	37 ⁹ / ₁₆	954
42	25 ⁷ / ₈	657	22 ⁹ / ₁₆	573	76 ³ / ₁₆	1935	72 ⁹ / ₁₆	1843

Wall Mount Relay Rack



Part Number*	'W' Rack Width		'H' Height		Usable EIA Mounting U's	'D' Depth		Weight	
	in.	(mm)	in.	(mm)		in.	(mm)	lbs.	(kg)
SB702192506	20 ⁵ / ₁₆ "	516	25 ¹ / ₄ "	641	14	6"	152	6.8	3.1
SB702192512	20 ⁵ / ₁₆ "	516	25 ¹ / ₄ "	641	14	12"	305	7.7	3.5
SB702192518	20 ⁵ / ₁₆ "	516	25 ¹ / ₄ "	641	14	18"	457	8.7	3.9
SB702193906	20 ⁵ / ₁₆ "	516	39 ¹ / ₄ "	997	22	6"	152	9.0	4.1
SB702193912	20 ⁵ / ₁₆ "	516	39 ¹ / ₄ "	997	22	12"	305	9.9	4.5
SB702193918	20 ⁵ / ₁₆ "	516	39 ¹ / ₄ "	997	22	18"	457	10.8	4.9
SB702197406	20 ⁵ / ₁₆ "	516	74 ¹ / ₄ "	2012	42	6"	152	14.4	6.5
SB702197412	20 ⁵ / ₁₆ "	516	74 ¹ / ₄ "	2012	42	12"	305	15.3	6.9
SB702197418	20 ⁵ / ₁₆ "	516	74 ¹ / ₄ "	2012	42	18"	457	16.3	7.4
SB702232506	24 ⁵ / ₁₆ "	617	25 ¹ / ₄ "	641	14	6"	152	7.0	3.2
SB702232512	24 ⁵ / ₁₆ "	617	25 ¹ / ₄ "	641	14	12"	305	8.0	3.6
SB702232518	24 ⁵ / ₁₆ "	617	25 ¹ / ₄ "	641	14	18"	457	8.9	4.0
SB702233906	24 ⁵ / ₁₆ "	617	39 ¹ / ₄ "	997	22	6"	152	9.2	4.2
SB702233912	24 ⁵ / ₁₆ "	617	39 ¹ / ₄ "	997	22	12"	305	10.1	4.6
SB702233918	24 ⁵ / ₁₆ "	617	39 ¹ / ₄ "	997	22	18"	457	11.1	5.0
SB702237406	24 ⁵ / ₁₆ "	617	74 ¹ / ₄ "	2012	42	6"	152	14.6	6.6
SB702237412	24 ⁵ / ₁₆ "	617	74 ¹ / ₄ "	2012	42	12"	305	15.6	7.1
SB702237418	24 ⁵ / ₁₆ "	617	74 ¹ / ₄ "	2012	42	18"	457	16.5	7.5

* Add Color Code suffix to complete part number.