

# Dynamic Dual Relay Rack

The B-Line Dual Relay Rack provides the functionality and versatility needed in telecom closets where space and accessibility are at a premium or when equipment allows minimal space for rear connectivity. This patented design features either right or left hinge function by simply pushing the red top and bottom slide locks to the right or left.

## Features

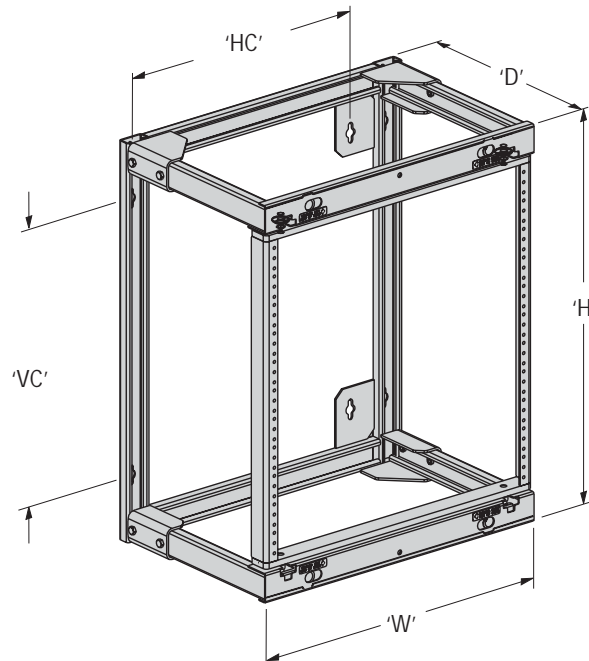
- Front frame hinges on either side providing convenient access to back of equipment
- Modular design permits easy installation by one person
- Design eliminates corner gussets, maximizing usable depth for all mounting units
- Wall mounting slots on 16" (406mm) centers
- Multiple racks can be installed side by side or vertically
- Front frame can be completely removed from rack after installation
- Universal ( $\frac{5}{8}$ " (16mm),  $\frac{5}{8}$ " (16mm),  $\frac{1}{2}$ " (13mm)) mounting hole spacing
- Can be locked for added security
- Available in EIA widths 19" (482mm) and 23" (584mm)
- Available in heights of 6U = 16" (406mm), 11U = 24" (609mm), 19U = 38" (965mm) and 25U = 49" (1244mm)
- Available in depths of 5" (127mm), 8" (203mm), 12" (305mm) and 18" (457mm)
- Load Rating: 100 Lbs. (45kg)
- Material: Steel



Hinging from left side

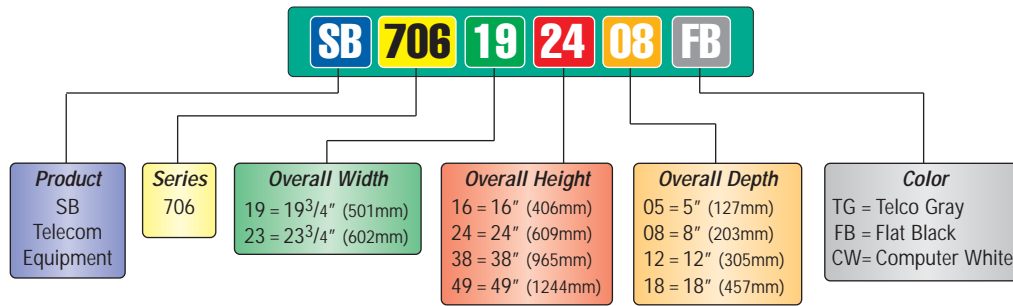


Hinging from right side



Unit Height U's	Mounting Hole Centers			
	Horizontal 'HC'		Vertical 'VC'	
	in.	(mm)	in.	(mm)
6	16	406	8 <sup>1</sup> / <sub>4</sub>	420
11	16	406	17	553
19	16	406	31	820
25	16	406	41 <sup>1</sup> / <sub>2</sub>	820

# Dynamic Dual Relay Rack



Part Number*	Rack Width		'W' Overall Width		Usable EIA Mounting U's	'H' Overall Height		'D' Overall Depth		Weight	
	in.	(mm)	in.	(mm)		in.	(mm)	in.	(mm)	lbs.	(kg)
SB706191605	19"	482	19.73"	501	6	16"	406	5"	127	24.9	11.3
SB706191608	19"	482	19.73"	501	6	16"	406	8"	203	26.8	12.1
SB706191612	19"	482	19.73"	501	6	16"	406	12"	305	28.5	12.9
SB706191618	19"	482	19.73"	501	6	16"	406	18"	457	31.1	14.1
SB706192405	19"	482	19.73"	501	11	24"	609	5"	127	27.9	12.6
SB706192408	19"	482	19.73"	501	11	24"	609	8"	203	29.8	13.5
SB706192412	19"	482	19.73"	501	11	24"	609	12"	305	31.5	14.3
SB706192418	19"	482	19.73"	501	11	24"	609	18"	457	34.1	15.4
SB706193805	19"	482	19.73"	501	19	38"	965	5"	127	32.7	14.8
SB706193808	19"	482	19.73"	501	19	38"	965	8"	203	34.6	15.7
SB706193812	19"	482	19.73"	501	19	38"	965	12"	305	36.3	16.4
SB706193818	19"	482	19.73"	501	19	38"	965	18"	457	38.9	17.6
SB706194905	19"	482	19.73"	501	25	49"	1244	5"	127	36.3	16.4
SB706194908	19"	482	19.73"	501	25	49"	1244	8"	203	38.3	17.4
SB706194912	19"	482	19.73"	501	25	49"	1244	12"	305	39.9	18.1
SB706194918	19"	482	19.73"	501	25	49"	1244	18"	457	42.4	19.2
SB706231605	23"	584	23.73"	602	6	16"	406	5"	127	29.0	13.1
SB706231608	23"	584	23.73"	602	6	16"	406	8"	203	30.9	14.0
SB706231612	23"	584	23.73"	602	6	16"	406	12"	305	32.6	14.8
SB706231618	23"	584	23.73"	602	6	16"	406	18"	457	35.0	15.9
SB706232405	23"	584	23.73"	602	11	24"	609	5"	127	32.0	14.5
SB706232408	23"	584	23.73"	602	11	24"	609	8"	203	33.9	15.4
SB706232412	23"	584	23.73"	602	11	24"	609	12"	305	35.6	16.1
SB706232418	23"	584	23.73"	602	11	24"	609	18"	457	38.1	17.3
SB706233805	23"	584	23.73"	602	19	38"	965	5"	127	36.8	16.7
SB706233808	23"	584	23.73"	602	19	38"	965	8"	203	38.7	17.5
SB706233812	23"	584	23.73"	602	19	38"	965	12"	305	40.4	18.3
SB706233818	23"	584	23.73"	602	19	38"	965	18"	457	42.9	19.4
SB706234905	23"	584	23.73"	602	25	49"	1244	5"	127	40.4	18.3
SB706234908	23"	584	23.73"	602	25	49"	1244	8"	203	42.3	19.2
SB706234912	23"	584	23.73"	602	25	49"	1244	12"	305	44.0	19.9
SB706234918	23"	584	23.73"	602	25	49"	1244	18"	457	46.5	21.1

\* Add Color Code suffix to complete part number.