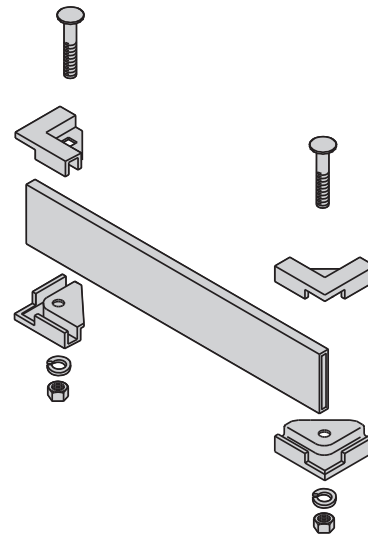
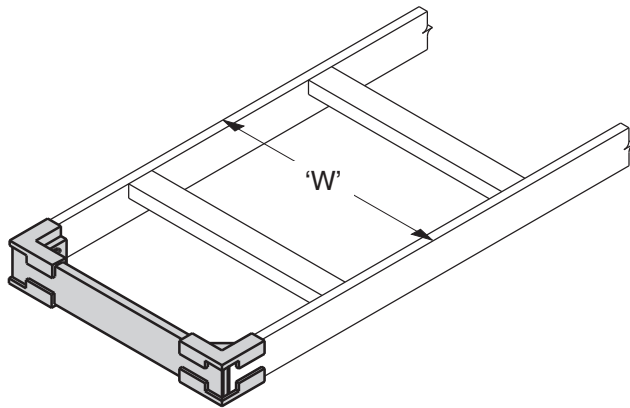


## Runway Termination Kit

- Use to close end of cable runway.
- No drilling required for installation.
- Includes: (1) termination end, (2) clamps and 3/8"-16 hardware.
- Material: ASTM A513 tube or ASTM A36 structural steel
- Finish \_\_\_: Yellow Zinc (YZ),  
Telco Gray Powder Coat (TG) or  
Flat Black Powder Coat (FB)  
(Other finishes are available upon request)



### 1 1/2" (38mm) Tube Stringers

Part Number	'W' Runway Width		Weight	
	In.	(mm)	Lbs.	(kg)
SB210506 ___	6"	(152)	1.0	(0.45)
SB210509 ___	9"	(228)	1.2	(0.54)
SB210512 ___	12"	(305)	1.4	(0.63)
SB210515 ___	15"	(381)	1.5	(0.68)
SB210518 ___	18"	(457)	1.7	(0.77)
SB210520 ___	20"	(508)	1.9	(0.86)
SB210524 ___	24"	(609)	2.1	(0.95)
SB210530 ___	30"	(762)	2.5	(1.13)
SB210536 ___	36"	(914)	2.9	(1.31)