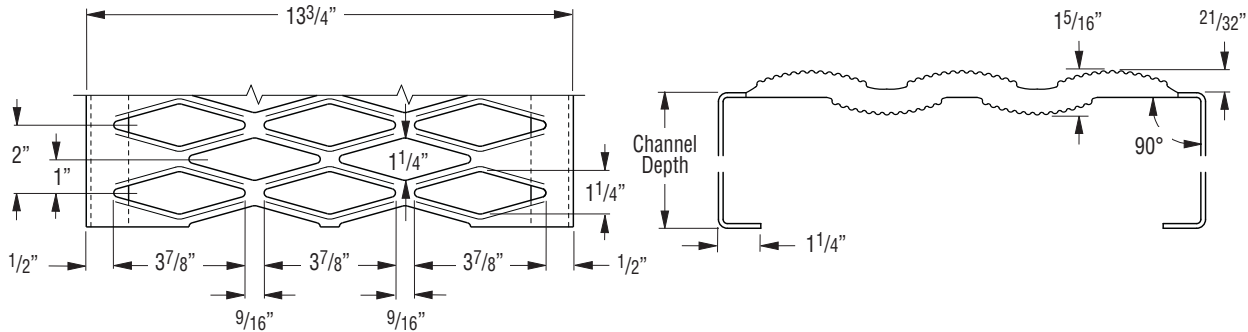


Grip Strut Plank - Safe Loading Tables



3-Diamond Plank — 13³/₄" Width — "H" Series



Plank Selection & Design Loads/Deflections

Allowable Loads and Deflections: U=Uniform Load (lb./ft.²) C= Concentrated Load (lb.) D=Deflection (in.)

Material Gauge	Channel Depth in. (mm)	Weight lb./lin. ft. (kg/m)	Catalog Number	Span																	
				2'-0"	2'-6"	3'-0"	3'-6"	4'-0"	4'-6"	5'-0"	5'-6"	6'-0"	6'-6"	7'-0"	7'-6"	8'-0"	9'-0"	10'-0"	11'-0"	12'-0"	
Steel 11 ga.	2" (38.1)	8.5 (12.6)	H-32011	U	1624	1039	721	530	405	320	259	214	182	153	132	115	102	80	66	54	45
				D	.05	.08	.11	.15	.19	.24	.30	.35	.41	.47	.54	.62	.69	.85	1.04	1.24	1.45
				C	1860	1488	1240	1063	930	827	744	677	620	572	531	496	465	413	372	338	310
				D	.04	.06	.09	.12	.15	.19	.24	.28	.33	.38	.44	.49	.55	.68	.81	.98	1.16
	2 1/2" (63.5)	8.9 (13.2)	H-32511	U	2460	1615	1093	804	615	485	393	325	274	233	201	175	153	122	99	83	68
				D	.05	.07	.10	.14	.18	.23	.27	.32	.36	.42	.49	.55	.62	.79	.96	1.15	1.35
				C	2820	2256	1880	1611	1410	1254	1128	1025	940	868	806	752	705	626	564	513	470
				D	.04	.06	.08	.11	.14	.18	.22	.25	.29	.34	.39	.44	.50	.63	.76	.91	1.08
	3" (76.2)	9.3 (13.8)	H-33011	U	2618	1676	1164	855	655	516	419	347	290	248	214	186	163	130	104	87	73
				D	.04	.06	.08	.11	.15	.18	.22	.26	.30	.34	.39	.44	.48	.58	.68	.80	.95
				C	3000	2400	2000	1715	1500	1333	1180	1091	1000	923	857	800	750	667	600	545	500
				D	.03	.05	.07	.09	.12	.15	.17	.21	.24	.28	.31	.35	.39	.47	.55	.64	.76
4" (101.6)	10.1 (15.0)	H-34011	U	4293	2748	1909	1402	1075	849	689	568	476	408	351	306	268	212	172	141	118	
			D	.03	.05	.07	.09	.12	.14	.17	.20	.23	.27	.31	.35	.39	.47	.56	.66	.78	
			C	4920	3936	3280	2812	2460	2187	1968	1789	1640	1514	1406	1312	1230	1094	935	895	820	
			D	.03	.04	.06	.07	.09	.11	.14	.16	.19	.22	.25	.28	.31	.38	.45	.53	.63	
Steel 10 ga.	2" (50.8)	9.5 (14.1)	H-32010	U	1804	1154	801	589	450	356	288	238	202	170	147	128	113	89	73	60	50
				D	.05	.08	.11	.15	.19	.24	.30	.35	.41	.47	.54	.62	.69	.85	1.04	1.24	1.45
				C	2067	1653	1378	1181	1033	919	827	752	689	636	590	551	517	459	413	376	344
				D	.04	.06	.09	.12	.15	.19	.24	.28	.33	.38	.44	.49	.55	.68	.81	.98	1.16
	2 1/2" (63.5)	10.0 (14.9)	H-32510	U	2733	1794	1214	893	683	539	437	361	304	259	223	194	170	136	110	92	76
				D	.05	.07	.10	.14	.18	.23	.27	.32	.36	.42	.49	.55	.62	.79	.96	1.15	1.35
				C	3133	2507	2089	1790	1567	1393	1253	1139	1044	964	895	836	783	696	627	570	522
				D	.04	.06	.08	.11	.14	.18	.22	.25	.29	.34	.39	.44	.50	.63	.76	.91	1.08
	3" (76.2)	10.5 (15.6)	H-33010	U	2909	1862	1293	950	728	573	466	385	322	275	238	207	181	144	115	97	81
				D	.04	.06	.08	.11	.15	.18	.22	.26	.30	.34	.39	.44	.48	.58	.68	.80	.95
				C	3333	2667	2222	1905	1667	1481	1311	1212	1111	1026	952	889	833	741	667	606	556
				D	.03	.05	.07	.09	.12	.15	.17	.21	.24	.28	.31	.35	.39	.47	.55	.64	.xx
4" (101.6)	11.4 (16.9)	H-34010	U	4770	3053	2121	1558	1194	943	765	631	529	453	390	340	298	236	191	157	13x	
			D	.03	.05	.07	.09	.12	.14	.17	.20	.23	.27	.31	.35	.39	.47	.56	.66	.78	
			C	5467	4373	3644	3124	2733	2430	2187	1988	1822	1682	1562	1458	1367	1215	1039	994	911	
			D	.03	.04	.06	.07	.09	.11	.14	.16	.19	.22	.25	.28	.31	.38	.46	.53	.63	



Grip Strut Plank - Safe Loading Tables

3-Diamond Plank — 13³/₄" Width — "H" Series cont.

Plank Selection & Design Loads/Deflections

Allowable Loads and Deflections: U=Uniform Load (lb./ft.²) C= Concentrated Load (lb.) D=Deflection (in.)

Material Gauge	Channel Depth in. (mm)	Weight lb./lin. ft. (kg/m)	Catalog Number	Span																	
				2'-0"	2'-6"	3'-0"	3'-6"	4'-0"	4'-6"	5'-0"	5'-6"	6'-0"	6'-6"	7'-0"	7'-6"	8'-0"	9'-0"	10'-0"	11'-0"	12'-0"	
Steel 9 ga.	2" (38.1)	10.6 (15.8)	H-32009	U	1984	1269	881	648	495	392	317	262	222	187	162	141	124	98	80	66	55
				D	.05	.06	.11	.15	.19	.24	.30	.35	.41	.47	.54	.62	.69	.85	1.04	1.24	1.45
				C	2274	1818	1516	1299	1136	1011	910	827	758	700	649	606	569	505	454	414	378
				D	.04	.06	.09	.12	.15	.19	.24	.28	.33	.38	.44	.49	.55	.68	.81	.98	1.16
	2 1/2" (63.5)	11.1 (16.5)	H-32509	U	3006	1973	1335	982	751	593	481	397	334	285	245	213	187	150	121	101	84
				D	.05	.07	.10	.14	.18	.23	.27	.32	.36	.42	.49	.55	.62	.79	.96	1.15	1.35
				C	3446	2758	2298	1969	1724	1532	1378	1253	1148	1060	985	920	861	766	690	627	574
				D	.04	.06	.08	.11	.14	.18	.22	.25	.29	.34	.39	.44	.50	.63	.76	.91	1.08
	3" (76.2)	11.6 (17.2)	H-33009	U	3200	2048	1422	1045	801	630	513	424	354	303	262	228	199	158	127	107	89
				D	.04	.06	.08	.11	.15	.18	.22	.26	.30	.34	.39	.44	.48	.58	.68	.80	.95
				C	3666	2934	2444	2096	1834	1629	1442	1333	1222	1129	1047	978	916	815	734	667	612
				D	.03	.05	.07	.09	.12	.15	.17	.21	.24	.28	.31	.35	.39	.47	.55	.64	.76
4" (101.6)	12.7 (18.9)	H-34009	U	5247	3358	2333	1714	1313	1037	842	694	582	498	429	374	328	260	210	173	144	
			D	.03	.05	.07	.09	.12	.14	.17	.20	.23	.27	.31	.35	.39	.47	.56	.66	.78	
			C	6014	4810	4008	3436	3006	2673	2406	2187	2004	1850	1718	1604	1504	1337	1143	1093	1002	
			D	.03	.04	.06	.07	.09	.11	.14	.16	.19	.22	.25	.28	.31	.38	.45	.53	.63	

Strut Concentrated - Loads/Deflections⁽²⁾

Plank Width	Thickness	Concentrated C _s (lb./ft.)	
		Serrated	Non-Serrated
13 ³ / ₄ "	11 ga. Steel	1171	1336
	10 ga. Steel	1348	1536
	9 ga. Steel	1534	1745
	Deflection (in.)	0.02	0.02

C_s = Allowable Concentrated Load per ft. of length at mid-width (lb./ft.)
 (2) See "General Load information", page 4, for explanation of design load deflection conditions.

Strut Uniform - Loads/Deflections⁽²⁾

Plank Width	Thickness	Concentrated U (lb./ft. ²)	
		Serrated	Non-Serrated
13 ³ / ₄ "	11 ga. Steel	2044	2322
	10 ga. Steel	2354	2681
	9 ga. Steel	2678	3046
	Deflection (in.)	0.03	0.03

U = Allowable Uniform Load (lb./ft.²)
 (2) See "General Load information", page 4, for explanation of design load deflection conditions.