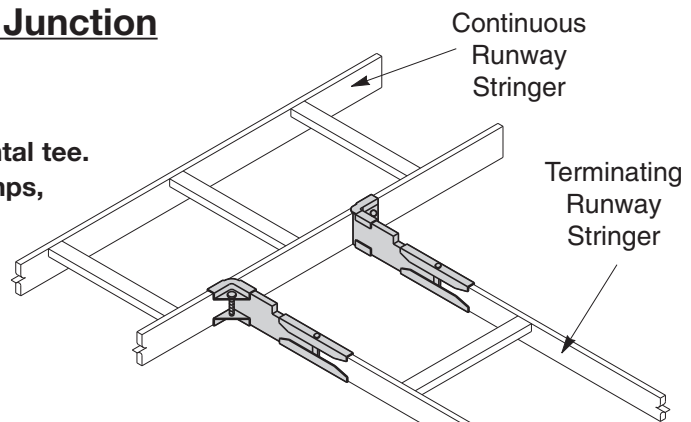
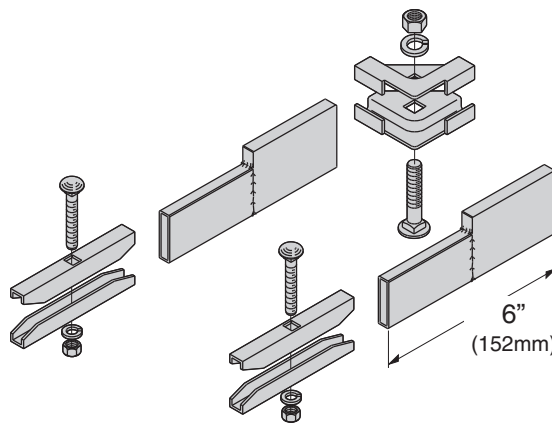


## Runway Stringer Reducing and 90° Junction Splice Kit

- Use to connect 1 1/2" (38mm) runway stringer to 2" (51mm) runway stringer to form a 90° horizontal tee.
- Includes: (2) extension clamps, (2) corner clamps, (2) reducer bars and hardware.
- No drilling or modification necessary.
- Material: ASTM A570, A513 & A36 steel
- Finish: Yellow Zinc (YZ) or Black Zinc (BZ)
- UL Classified - file number E60548



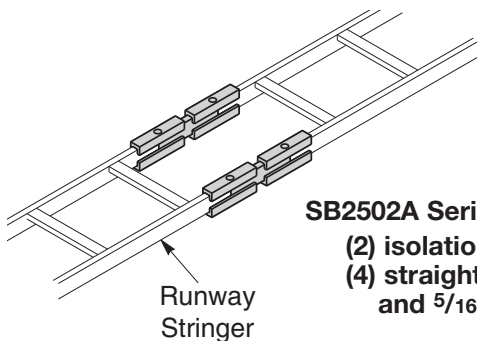
Part Number	Weight	
	Lbs.	(kg)
SB2108C	3.8	(1.7)



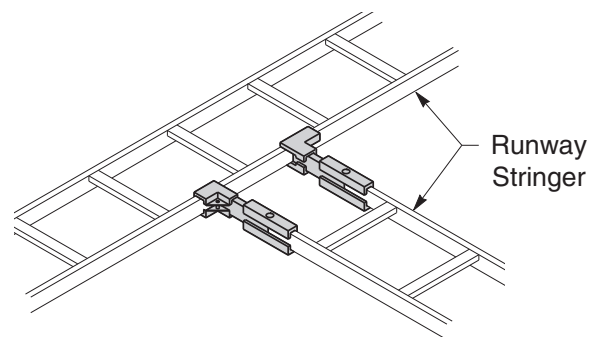
CABLE RUNWAYS & ACCESSORIES

## Cable Runway Isolation Kit

- Use to provide electrical isolation and splice cable runway.
- Material: Bar - Phenolic & Clamps - Steel
- Finish: Bar - Natural  
Clamps and hardware - Yellow Zinc (YZ)



**SB2502A Series Includes:**  
(2) isolation bars,  
(4) straight splice clamps  
and 5/16"-18 hardware.



Part Number	Splice Type	Runway Height		Weight	
		In.	(mm)	Lbs.	(kg)
SB2502A	Straight	1 1/2"	(38)	2.30	(1.04)
SB2502A2	Straight	2"	(51)	2.40	(1.09)
SB2502B	Tee	1 1/2"	(38)	1.90	(0.86)
SB2502B2	Tee	2"	(51)	2.00	(0.91)

**SB2502B Series Includes:**  
(2) isolation bars  
(2) straight splice clamps  
(2) corner clamps and  
5/16"-18 hardware.