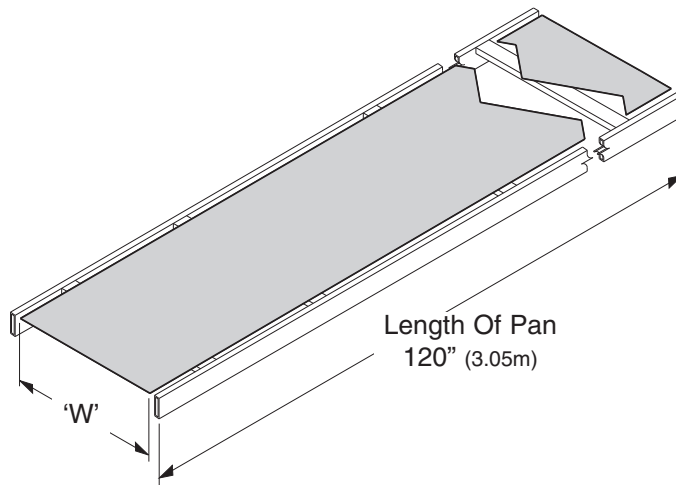


## Cable Runway Pan

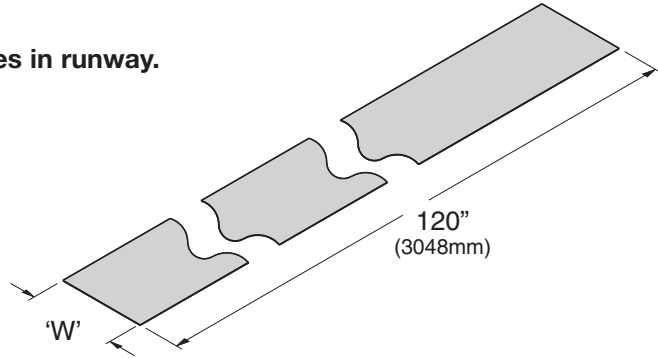
- Use to provide continuous support for cables in runway.
- See SB128 for alternate pan positioning.
- Pans can be trimmed to fit in field.
- Material: 5052-H32 aluminum sheet
- Finish\_\_\_: Brushed Aluminum (AL),  
Telco Gray Powder Coat (TG) (one side only),  
or Flat Black Powder Coat (FB) (one side only)



| Part Number | Runway Width |       | 'W'                              |       | Weight |        |
|-------------|--------------|-------|----------------------------------|-------|--------|--------|
|             | In.          | (mm)  | In.                              | (mm)  | Lbs.   | (kg)   |
| SB1906__    | 6"           | (152) | 4 <sup>1</sup> / <sub>4</sub> "  | (108) | 2.0    | (0.91) |
| SB1909__    | 9"           | (228) | 7 <sup>1</sup> / <sub>4</sub> "  | (184) | 3.4    | (1.54) |
| SB1912__    | 12"          | (305) | 10 <sup>1</sup> / <sub>4</sub> " | (260) | 4.8    | (2.18) |
| SB1915__    | 15"          | (381) | 13 <sup>1</sup> / <sub>4</sub> " | (336) | 6.2    | (2.81) |
| SB1918__    | 18"          | (457) | 16 <sup>1</sup> / <sub>4</sub> " | (413) | 7.6    | (3.45) |
| SB1920__    | 20"          | (508) | 18 <sup>1</sup> / <sub>4</sub> " | (463) | 8.6    | (3.90) |
| SB1924__    | 24"          | (609) | 22 <sup>1</sup> / <sub>4</sub> " | (565) | 10.5   | (4.76) |
| SB1930__    | 30"          | (762) | 28 <sup>1</sup> / <sub>4</sub> " | (717) | 13.4   | (6.08) |
| SB1936__    | 36"          | (914) | 34 <sup>1</sup> / <sub>4</sub> " | (870) | 16.3   | (7.39) |

## Kydex® Runway Pan

- Use to provide continuous support for cables in runway.
- Meets UL 94 V-O
- Material: .04" (1mm) thick Kydex®
- Colors: Gray (G)



| Part Number | Runway Width |       | 'W'                              |       | Weight |        |
|-------------|--------------|-------|----------------------------------|-------|--------|--------|
|             | In.          | (mm)  | In.                              | (mm)  | Lbs.   | (kg)   |
| SB1906KG    | 6"           | (152) | 4 <sup>1</sup> / <sub>4</sub> "  | (108) | 1.4    | (0.63) |
| SB1909KG    | 9"           | (228) | 7 <sup>1</sup> / <sub>4</sub> "  | (184) | 2.1    | (0.95) |
| SB1912KG    | 12"          | (305) | 10 <sup>1</sup> / <sub>4</sub> " | (260) | 2.8    | (1.27) |
| SB1915KG    | 15"          | (381) | 13 <sup>1</sup> / <sub>4</sub> " | (336) | 3.5    | (1.59) |
| SB1918KG    | 18"          | (457) | 16 <sup>1</sup> / <sub>4</sub> " | (413) | 4.2    | (1.90) |
| SB1920KG    | 20"          | (508) | 18 <sup>1</sup> / <sub>4</sub> " | (463) | 4.6    | (2.08) |
| SB1924KG    | 24"          | (609) | 22 <sup>1</sup> / <sub>4</sub> " | (565) | 5.6    | (2.54) |
| SB1936KG    | 36"          | (914) | 34 <sup>1</sup> / <sub>4</sub> " | (870) | 8.4    | (3.81) |

## Pan Support

- Use to suspend cable runway pan from rungs of cable runway.
- Seven (7) pan supports recommended for each length, 119<sup>1</sup>/<sub>2</sub>" (3.05m), of cable runway.
- SB128 Series is designed for use on cable runways with 1/2" x 1" (13mm x 25mm) rungs.
- SB128U Series is designed for use on cable runways with 3/8" x 1 1/2" (9mm x 38mm) rungs.
- Material: cold finished steel wire
- Finish \_\_\_: Yellow Zinc (YZ), Telco Gray Powder Coat (TG) or Flat Black Powder Coat (FB)

| Part Number  |               | Runway Width |       | Weight |        |
|--------------|---------------|--------------|-------|--------|--------|
| SB128 Series | SB128U Series | In.          | (mm)  | Lbs.   | (kg)   |
| SB1286__     | SB128U6__     | 6"           | (152) | 0.10   | (0.04) |
| SB1289__     | SB128U9__     | 9"           | (228) | 0.12   | (0.05) |
| SB12812__    | SB128U12__    | 12"          | (305) | 0.14   | (0.06) |
| SB12815__    | SB128U15__    | 15"          | (381) | 0.16   | (0.07) |
| SB12818__    | SB128U18__    | 18"          | (457) | 0.19   | (0.08) |
| SB12820__    | SB128U20__    | 20"          | (508) | 0.20   | (0.09) |
| SB12824__    | SB128U24__    | 24"          | (609) | 0.23   | (0.10) |
| SB12830__    | SB128U30__    | 30"          | (762) | 0.27   | (0.12) |
| SB12836__    | SB128U36__    | 36"          | (914) | 0.31   | (0.14) |

