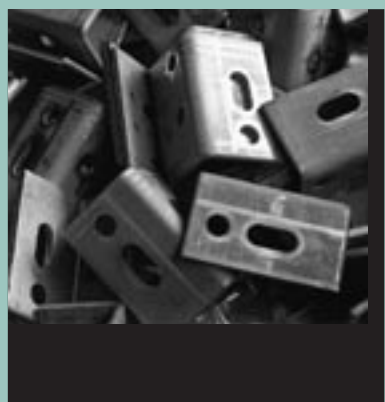
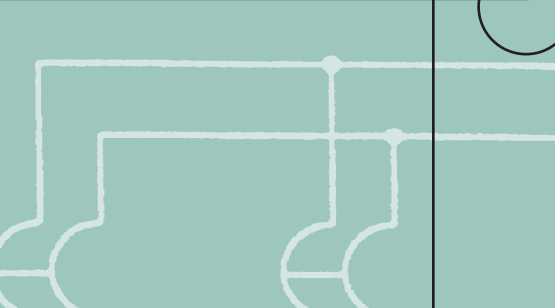
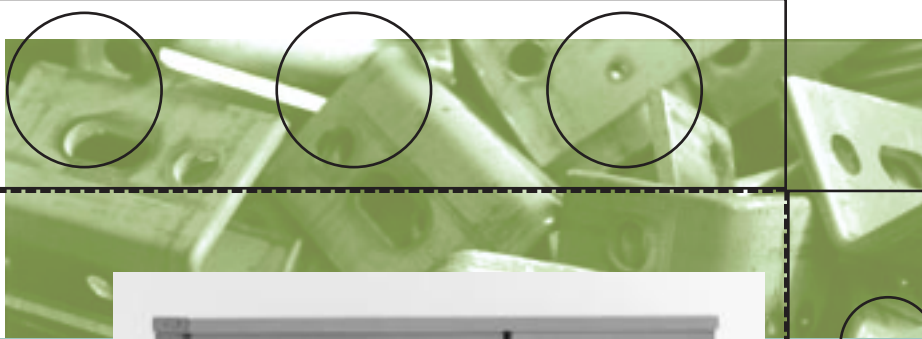


# CLASS 320 METERING

**COOPER B-Line**



**B-Line** 



**324N**

**APPLICATION**

- Single meter position
- Designed to receive watt-hour meters that meet ANSI C12.10

**CONSTRUCTION**

- Type 3R construction
- Manual bypass facilities
- H-base hub provision – 324N only
- Line/load lugs included for 324N and load lugs only included for 324C
- Snap type sealing ring included
- Ring Style

**STANDARDS**

- UL 414 listed, complies with ANSI-C12.7.

**FINISH**

- ANSI 61 gray acrylic electrocoat finish

**ACCESSORIES**

- Flush trim kit — catalog #FK1432 or FK2432
- Screw type sealing ring — catalog #25016D
- Steel or clear lexan covers for socket opening

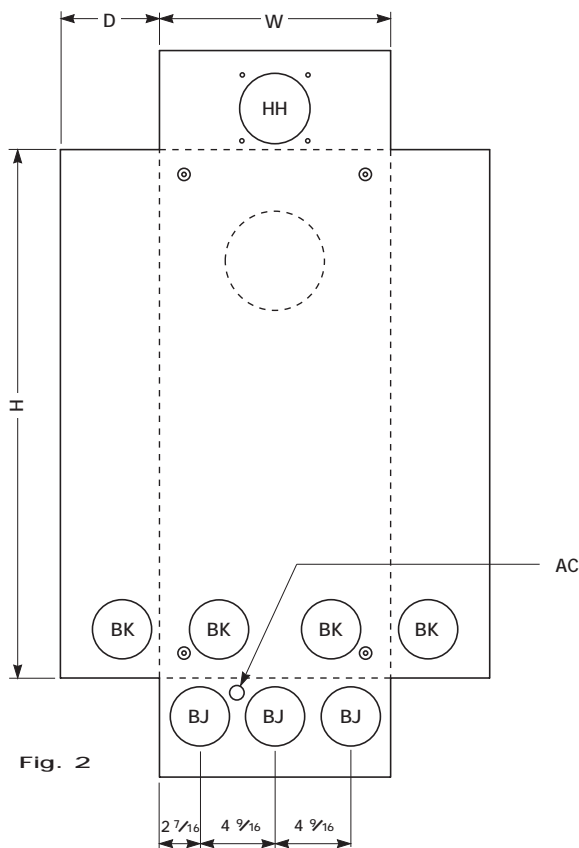
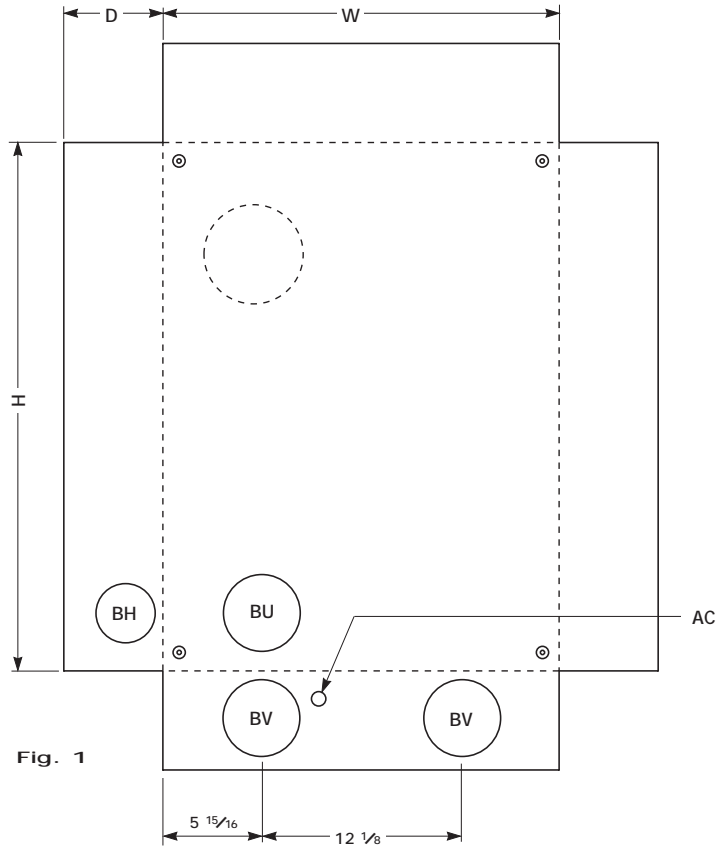
**Underground-Surface Mount**

CATALOG NUMBER	MAIN DISCONNECT	BRANCH CIRCUITS	AIC RATING	AMPACITY MAX. CONT.	VOLTAGE	SERVICE TYPE	NUMBER OF JAWS	BYPASS TYPE	HUB PROV.	PHASE & NEUTRAL LINE	CONDUCTOR LUG RANGE		FIGURE NUMBER	DIMENSIONS (INCHES)		
											CONDUCTOR	NEUTRAL LOAD		HEIGHT (H)	WIDTH (W)	DEPTH (D)
324C	NONE	NONE	†	400 320	600	1Ø 3W	4	MCC	NONE	STUDS	(1) 4 AWG - 600 kcmil or (2) 1 AWG-250 kcmil	Fig. 1	32	24	6	

**Overhead-Surface Mount**

CATALOG NUMBER	MAIN DISCONNECT	BRANCH CIRCUITS	AIC RATING	AMPACITY MAX. CONT.	VOLTAGE	SERVICE TYPE	NUMBER OF JAWS	BYPASS TYPE	HUB PROV.	PHASE & NEUTRAL LINE/LOAD	CONDUCTOR LUG RANGE		FIGURE NUMBER	DIMENSIONS (INCHES)		
											CONDUCTOR	NEUTRAL LOAD		HEIGHT (H)	WIDTH (W)	DEPTH (D)
324N	NONE	NONE	†	400 320	600	1Ø 3W	4	MCC	H	(1) 4 AWG - 600 kcmil or (2) 1/0-250 kcmil	Fig. 2	32	14	6		

† Meter sockets on this page have certain short circuit ratings when used in conformance with the tables on page 93.



**Knockouts — Conduit Sizes**

- AC = 1/2" - 1/4"
- BH = 3" - 2 1/2"
- BJ = 3" - 2 1/2" - 2"
- BK = 3" - 2 1/2" - 2" - 1 1/2"
- BU = 4" - 3 1/2"
- BV = 4" - 3 1/2" - 3"
- HH = H-BASE HUB



**U404MC**

**APPLICATION**

- Single meter position
- Designed to receive watthour meters that meet ANSI C12.10
- For residential installations
- Underground feed

**CONSTRUCTION**

- Type 3R construction
- Manual circuit closing bypass on MCC styles
- Snap type sealing ring included
- Ring Style

**STANDARDS**

- UL 67 listed, complies with ANSI C12.7

**FINISH**

- ANSI 61 gray acrylic electrocoat finish

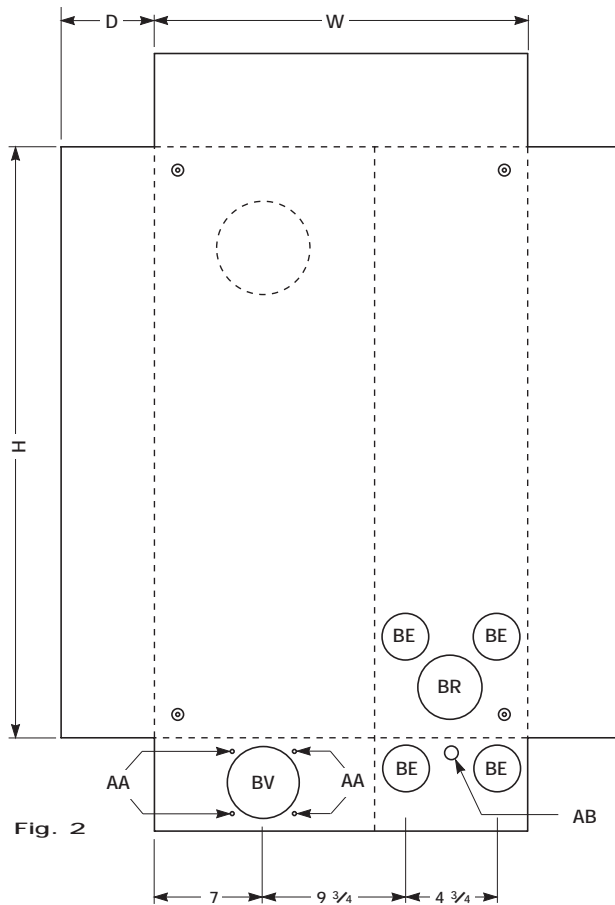
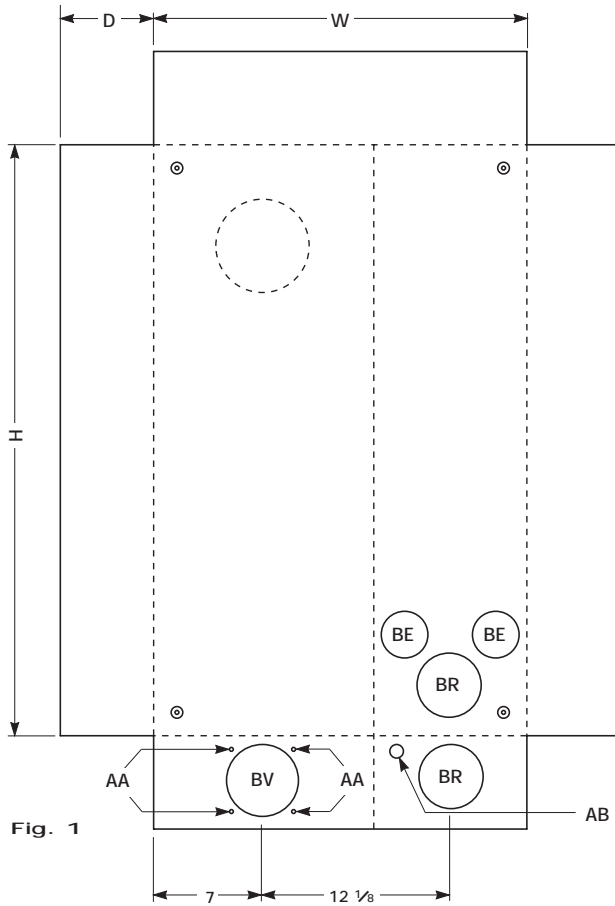
**ACCESSORIES**

- Flush trim kit — catalog #FK2438
- Overhead kit — catalog # CK8326
- Screw type sealing ring — catalog #25016D
- Steel or clear lexan covers for socket opening

**Underground-Surface Mount**

CATALOG NUMBER	MAIN DISCONNECT	BRANCH CIRCUITS	AIC RATING	AMPACITY MAX.	VOLTAGE	SERVICE TYPE	NUMBER OF JAWS	BYPASS TYPE	HUB PROV.	CONDUCTOR LUG RANGE			DIMENSIONS (INCHES)			
										PHASE LINE	CONDUCTOR LOAD	NEUTRAL CONDUCTOR	FIGURE NUMBER	HEIGHT (H)	WIDTH (W)	DEPTH (D)
U404MC	(1) 400A 2P CB	NONE	22K	400	120/240	1Ø 3W	4	NONE	NONE	STUDS	MAIN CIRCUIT BREAKER	6 AWG - 600 kcmil	Fig. 1	38	24	6
U404MCC	(1) 400A 2P CB	NONE	22K	400	120/240	1Ø 3W	4	NONE	MCC	STUDS	MAIN CIRCUIT BREAKER	6 AWG - 600 kcmil	Fig. 1	38	24	6
U4042MC	(2) 200A 2P CB	NONE	10K*	400	120/240	1Ø 3W	4	NONE	NONE	STUDS	MAIN CIRCUIT BREAKER	14 AWG - 350 kcmil	Fig. 2	38	24	6
U4042MCC	(2) 200A 2P CB	NONE	10K*	400	120/240	1Ø 3W	4	NONE	MCC	STUDS	MAIN CIRCUIT BREAKER	14 AWG - 350 kcmil	Fig. 2	38	24	6

\*22K & 42K AIC available upon request



**Knockouts — Conduit Sizes**

- AA = 1/4"
- AB = 1/2"
- BE = 2 1/2" - 2" - 1 1/2" - 1 1/4"
- BR = 3 1/2" - 3" - 2 1/2" - 2"
- BV = 4" - 3 1/2" - 3"

**APPLICATION**

- Single meter position
- Designed to receive wathour meters that meet ANSI C12.10
- Underground feed

**CONSTRUCTION**

- Type 3R construction
- Manual circuit closing bypass on MCC styles
- Load side hinged padlockable door
- Snap type sealing ring included
- Ring style

**STANDARDS**

- UL 67 listed, complies with ANSI C12.7

**FINISH**

- ANSI 61 gray acrylic electrocoat finish

**ACCESSORIES**

- Flush trim kit — catalog #FK3038 or FK3447
- Overhead kit — catalog #CK8326
- Screw type sealing ring — catalog #25016D
- Steel or clear lexan covers for socket opening
- Breaker filler plate #25319



**U4042230MC**

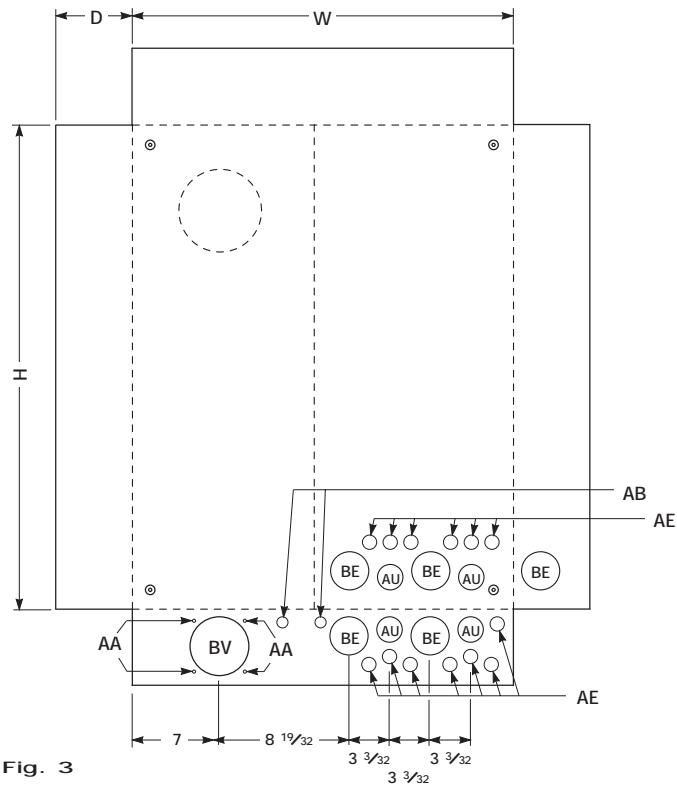
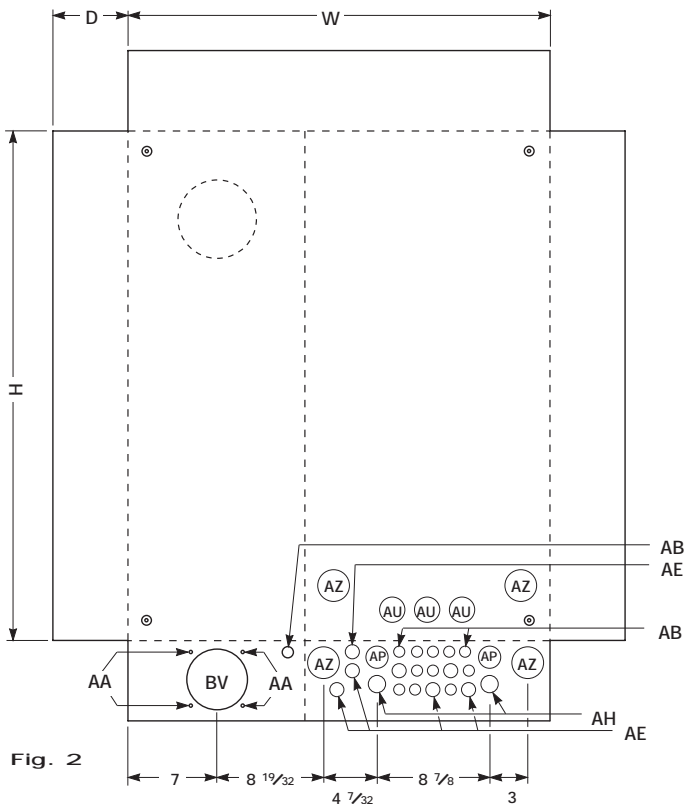
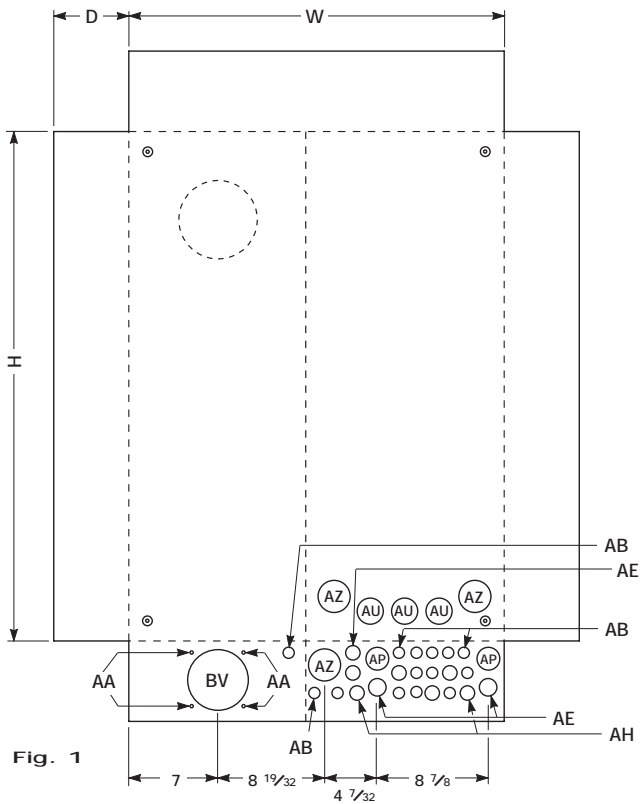
Class 320 Metering

6

**Underground-Surface Mount**

CATALOG NUMBER	MAIN DISCONNECT	BRANCH CIRCUITS	AIC RATING	AMPACITY MAX.	VOLTAGE	SERVICE TYPE	NUMBER OF JAWS	BYPASS TYPE	HUB PROV.	CONDUCTOR LUG RANGE			DIMENSIONS (INCHES)			
										LINE	PHASE CONDUCTOR LOAD	NEUTRAL CONDUCTOR	FIGURE NUMBER	HEIGHT (H)	WIDTH (W)	DEPTH (D)
U40411230MC	(1) 200A 2P CB & (2) 100A Prov.	30/40	22K	400	120/240	1Ø 3W	4	NONE	NONE	STUDS	MAIN CIRCUIT BREAKER	6 AWG - 250 kcmil	Fig. 1	38	30	6
U40411230MCC	(1) 200A 2P CB & (2) 100A Prov.	30/40	22K	400	120/240	1Ø 3W	4	MCC	NONE	STUDS	MAIN CIRCUIT BREAKER	6 AWG - 250 kcmil	Fig. 1	38	30	6
U4042230MC	(1) 200A 2P CB & (1) 200A Prov.	30/40	22K	400	120/240	1Ø 3W	4	NONE	NONE	STUDS	MAIN CIRCUIT BREAKER	6 AWG - 250 kcmil	Fig. 1	38	30	6
U4042230MCC	(1) 200A 2P CB & (1) 200A Prov.	30/40	22K	400	120/240	1Ø 3W	4	MCC	NONE	STUDS	MAIN CIRCUIT BREAKER	6 AWG - 250 kcmil	Fig. 1	38	30	6
U404430MC	(1) 400A 2P CB	30	22K	400	120/240	1Ø 3W	4	NONE	NONE	STUDS	MAIN CIRCUIT BREAKER	6 AWG - 600 kcmil	Fig. 2	47	34	6
U404430MCC	(1) 400A 2P CB	30	22K	400	120/240	1Ø 3W	4	MCC	NONE	STUDS	MAIN CIRCUIT BREAKER	6 AWG - 600 kcmil	Fig. 2	47	34	6
U4042208MC	(1) 200A 2P CB & (1) 200A Prov.	8	22K	400	120/240	1Ø 3W	4	NONE	NONE	STUDS	MAIN CIRCUIT BREAKER	6 AWG - 250 kcmil	Fig. 3	38	30	6
U4042208MCC	(1) 200A 2P CB & (1) 200A Prov.	8	22K	400	120/240	1Ø 3W	4	MCC	NONE	STUDS	MAIN CIRCUIT BREAKER	6 AWG - 250 kcmil	Fig. 3	38	30	6

Note: For branch circuits, order type "QP" breaker 15amp-100amp  
Only available in 22K AIC



Knockouts — Conduit Sizes	
AA	= 1/4"
AB	= 1/2"
AE	= 3/4" - 1/2"
AH	= 1" - 3/4"
AP	= 1 1/4" - 1" - 3/4" - 1/2"
AU	= 1 1/2" - 1 1/4" - 1" - 3/4"
AZ	= 2" - 1 1/2" - 1 1/4" - 1"
BE	= 2 1/2" - 2" - 1 1/2" - 1 1/4"
BV	= 4" - 3 1/2" - 3"

**Main Breaker Data**

CATALOG NUMBER	CIRCLE AW BREAKER #	ITE BREAKER #	AMPACITY	# OF POLES	AIC RATING
U404MC/MCC	25564F	JXD22B400	400A	2P	22K
U4042MC/MCC	25508K	OJ22B200	200A	2P	10K
U40411230MC/MCC	--	* EQ9685R	200A	2P	22K
U4042230MC/MCC	--	* EQ9685R	200A	2P	22K
U4044300MC/MCC	25564F	JXD22B400	400A	2P	22K
U4042208MC	--	* EQ9685R	200A	2P	22K
U4042208MCC	--	* EQ9685R	200A	2P	22K

\*EQ style breakers are not field replaceable

**Breaker Provision Data**

CATALOG NUMBER	CIRCLE AW BREAKER #	ITE PULLOUT #	AMPACITY	# OF POLES	AIC RATING
U40411230MC/MCC	25458P	Q2100	100A	2P	10K
U4042230MC/MCC	25494D	Q2200BH	200A	2P	22K
	25492D	Q2200B	200A	2P	10K
U4042208MC/MCC	25494D	Q2200BH	200A	2P	22K
	25492D	Q2200B	200A	2P	10K

The meter sockets shown in this section have certain short circuit current ratings when used in conformance with the tables below:

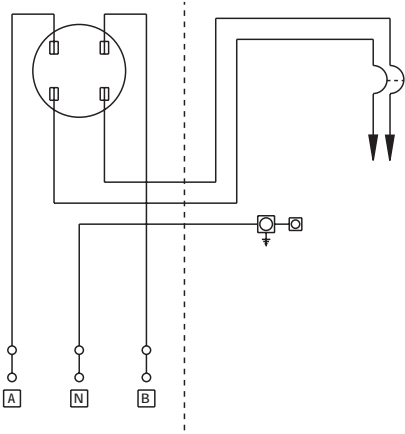
WHEN USED IN CONJUNCTION WITH FUSE OR BREAKER	THIS METER SOCKET IS RATED FOR USE ON A CIRCUIT CAPABLE OF DELIVERING NOT MORE THAN	AT VOLTS MAX.
---	---	---------------

Class 100 Meter Sockets		
100Amp class J, T, RK1 or RK5 fuse	100,000 RMS Symmetrical Amperes	600
100Amp Siemens type "HQP" circuit breaker	65,000* RMS Symmetrical Amperes	240
100Amp Westinghouse type "QHPX" circuit breaker	42,000* RMS Symmetrical Amperes	240
100Amp listed circuit breaker	25,000* RMS Symmetrical Amperes	240

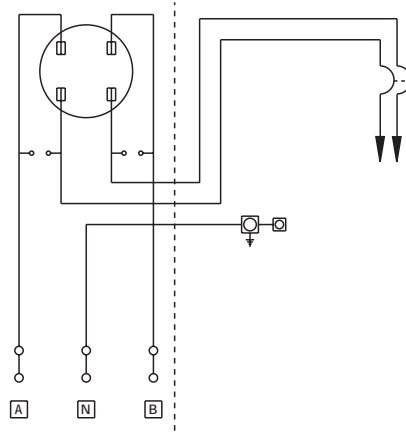
Class 200 Meter Sockets		
200Amp class J or T fuse	200,000 RMS Symmetrical Amperes	600
200Amp class RK-1 fuse	42,000 RMS Symmetrical Amperes	480
200Amp Siemens type "HFD6" circuit breaker	42,000* RMS Symmetrical Amperes	240
200Amp Siemens type "QJ2-H" circuit breaker	42,000* RMS Symmetrical Amperes	240
200Amp Siemens type "QJH2" circuit breaker	22,000* RMS Symmetrical Amperes	240
200Amp West. type "CAH" circuit breaker	22,000* RMS Symmetrical Amperes	240
125Amp listed circuit breaker (1Ø only)	22,000* RMS Symmetrical Amperes	240
200Amp listed circuit breaker	18,000* RMS Symmetrical Amperes	240

Class 320 Meter Sockets		
400Amp class J or T fuse	100,000* RMS Symmetrical Amperes	600
400Amp listed circuit breaker	18,000* RMS Symmetrical Amperes	240
125Amp listed circuit breaker	22,000* RMS Symmetrical Amperes	240
200Amp listed circuit breaker	18,000* RMS Symmetrical Amperes	240

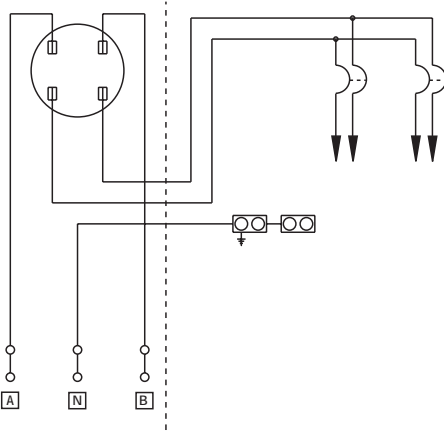
*\*Not in excess of the circuit breaker interrupting rating*  
**Note:** This table does not apply to meter-breaker units or to CT rated sockets



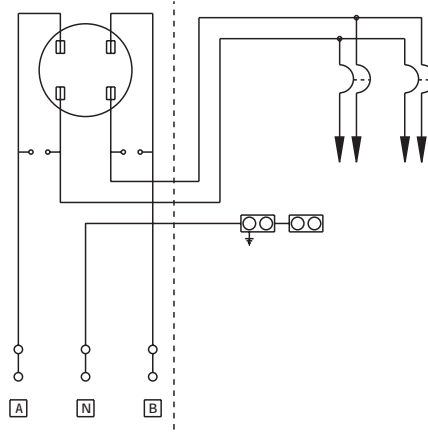
**Catalog #**  
U404MC



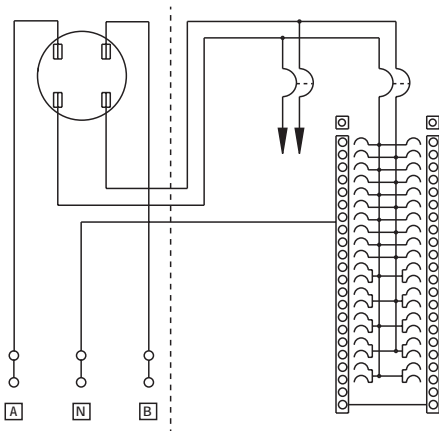
**Catalog #**  
U404MCC



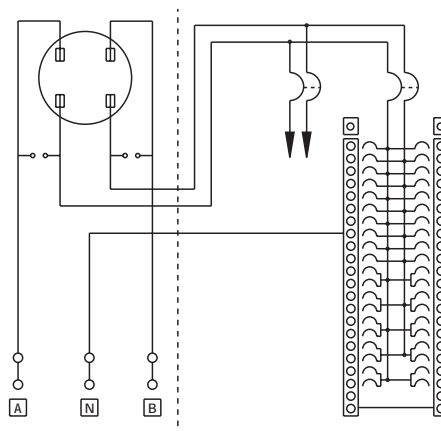
**Catalog #**  
U4042MC



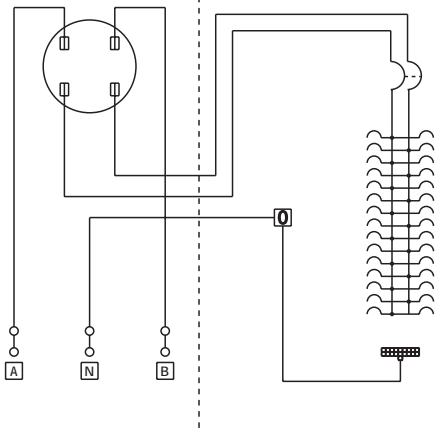
**Catalog #**  
U4042MCC



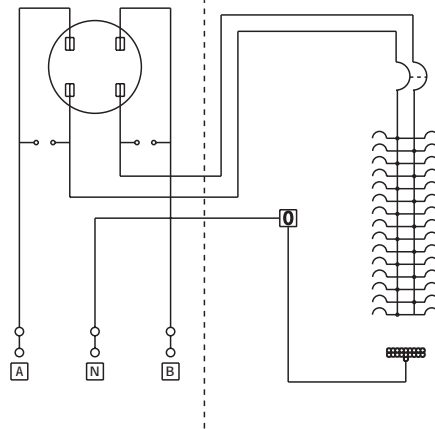
**Catalog #**  
U4042230MC



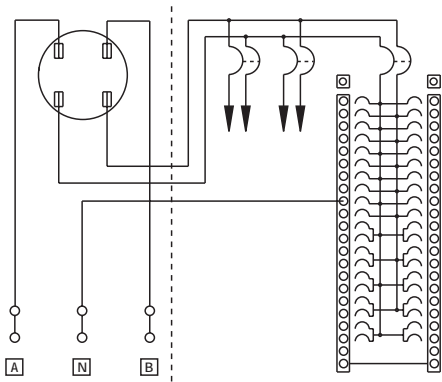
**Catalog #**  
U4042230MCC



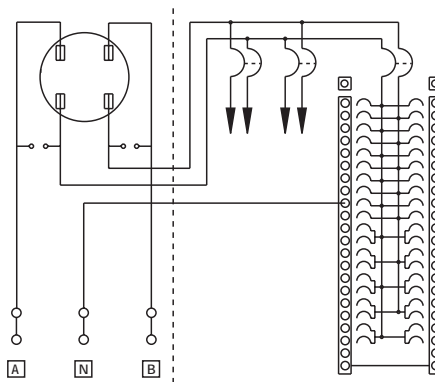
**Catalog #**  
U404430MC



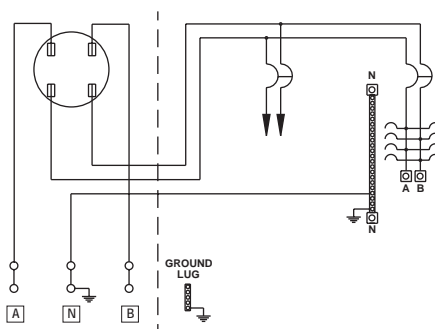
**Catalog #**  
U404430MCC



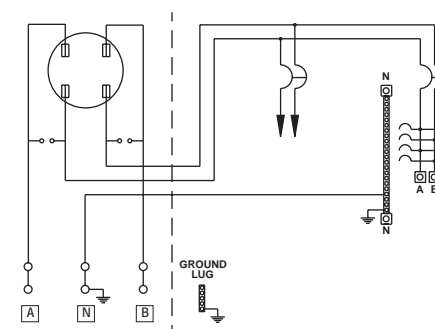
**Catalog #**  
U40411230MC



**Catalog #**  
U40411230MCC



**Catalog #**  
U4042208MC



**Catalog #**  
U4042208MCC

