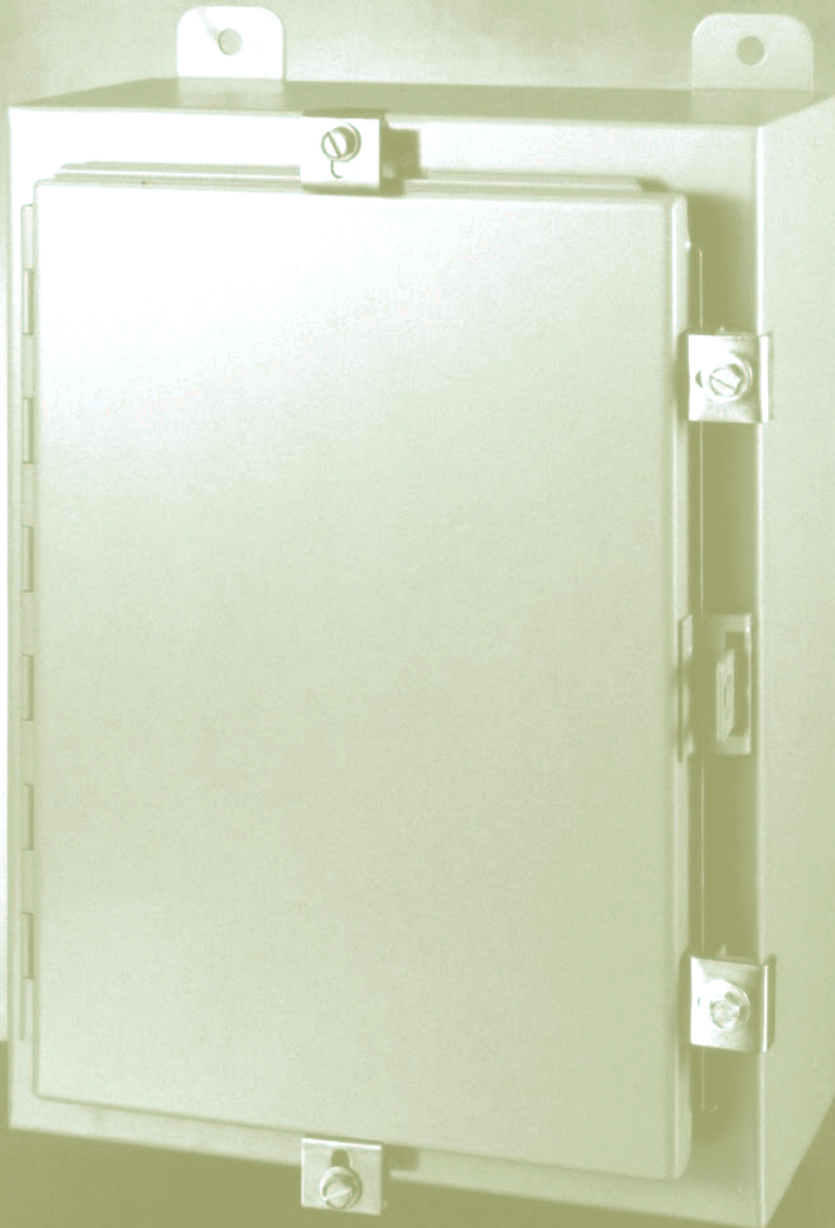


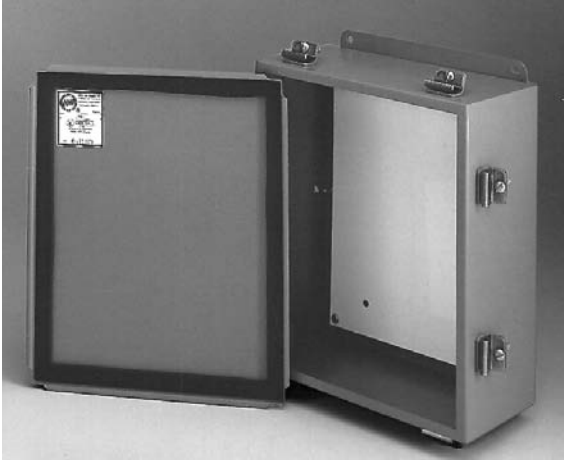
TYPE 4 ENCLOSURES



JIC Lift-Off Cover Enclosures	150
JIC Continuous Hinge Cover Enclosures	152
Single-Door Enclosures	154
Double-Door Floor-Standing Enclosures	157
Free-Standing Enclosures	159
Free-Standing Accessories	161

Type 4 Enclosures

Type 4 JIC Lift-Off Cover Enclosures Data Sheet



Application

- Houses electrical controls and instruments
- Intended for indoor or outdoor use
- Protects against windblown dust and rain, splashing water and hose directed water

Standards

- UL 508 listed, Type 4, Type 13 and Type 12
- CSA C22.2 No.94 certified, Type 4, Type 13 and Type 12
- Conforms to NEMA standard for Type 4, Type 13 and Type 12
- Conforms to JIC standard EGP-1-1967
- IEC 60529, IP66

Type 4 Enclosures

Construction

- Enclosure and cover are fabricated from (16) gauge steel
- All continuous welded seams are finished smooth
- Cover is secured to the body with easy-to-operate stainless steel screw clamps mounted on all four sides
- Cover has a fixed, oil and water-resistant gasket
- Ground stud provided on cover
- #10-32 weldnuts are provided for mounting optional panel on 6H x 4W and larger enclosures
- External mounting feet are provided for secure wall mounting

Finish

- Wash and phosphate undercoat
- ANSI 61 gray polyester powder finish

Accessories

- Panels
- JIC terminal strap kit
- JIC terminal strip kit
- Terminal blocks
- Touch-up paint
- See Accessories section

Notes: Cooper B-Line can provide special sizes, finishes and other modifications. Consult the factory for your special requirements.

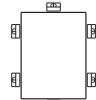
Type 4 Enclosures

Type 4 JIC Lift-Off Cover Enclosures Catalog Number

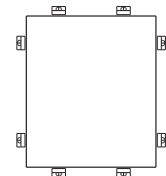
Enclosure Catalog Number	Enclosure Size Height x Width x Depth A x B x C		D		E		F		Panel Catalog Number	Panel Size Height x Width in. mm	
	in.	mm	in.	mm	in.	mm	in.	mm		in.	mm
443-4LC	4.00	102	2.00	51	-	-	2.00	51	-	-	-
643-4LC	6.00	152	3.00	76	-	-	2.00	51	AW64P	4.87	124
863.5-4LC	8.00	203	4.00	102	-	-	3.00	76	AW86P	6.87	174
664-4LC	6.00	152	3.00	76	-	-	3.00	76	AW66P	4.87	124
1084-4LC	10.00	254	2.00	51	-	-	4.00	102	AW108P	8.87	225
12105-4LC	12.00	305	3.00	76	-	-	2.00	51	AW1210P	10.87	276
14126-4LC	14.00	356	3.00	76	-	-	3.00	76	AW1412P	12.87	327
16146-4LC	16.00	406	2.00	51	8.00	203	3.00	76	AW1614P	14.87	378



443-4LC
643-4LC
863.5-4LC
664-4LC

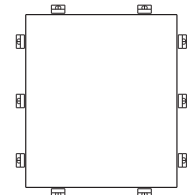


1084-4LC

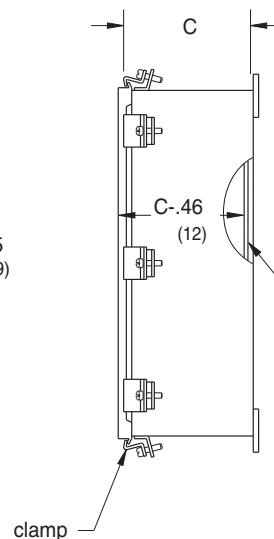
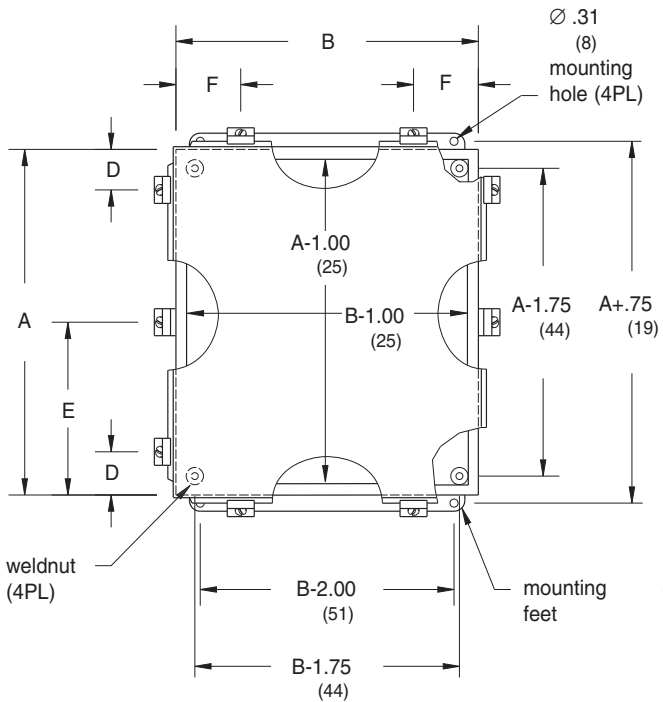


12105-4LC
14126-4LC

optional panel



16146-4LC



Cover Clamp Layout

Notes: Dimensions are in inches. Millimeters shown are for reference only. Data subject to change without notice.

Type 4 Enclosures

Type 4 JIC Continuous Hinge Cover Enclosures Data Sheet



Application

- Houses electrical controls and instruments
- Intended for indoor or outdoor use
- Protects against windblown dust and rain, splashing water and hose directed water

Standards

- UL 508 listed, Type 4, Type 13 and Type 12
- CSA C22.2 No.94 certified, Type 4, Type 13 and Type 12
- Conforms to NEMA standard for Type 4, Type 13 and Type 12
- Conforms to JIC standard EGP-1-1967
- IEC 60529, IP66

Type 4 Enclosures

Construction

- Enclosure and cover are fabricated from (16) gauge steel
- All continuous welded seams are finished smooth
- Cover is secured to the body with a continuous hinge on one side and easy-to-operate stainless steel screw clamps mounted to the opposite side
- Stainless steel hinge pin
- Cover has a fixed, oil and water-resistant gasket
- Ground stud provided on cover
- #10-32 weldnuts are provided for mounting optional panel on 6H x 4W and larger enclosures
- External mounting feet are provided for secure wall mounting

Finish

- Wash and phosphate undercoat
- ANSI 61 gray polyester powder finish

Accessories

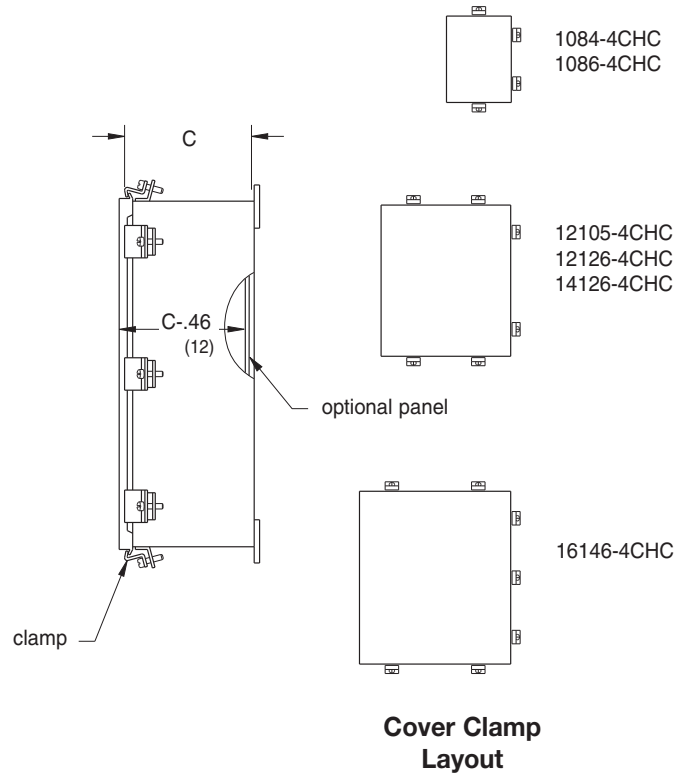
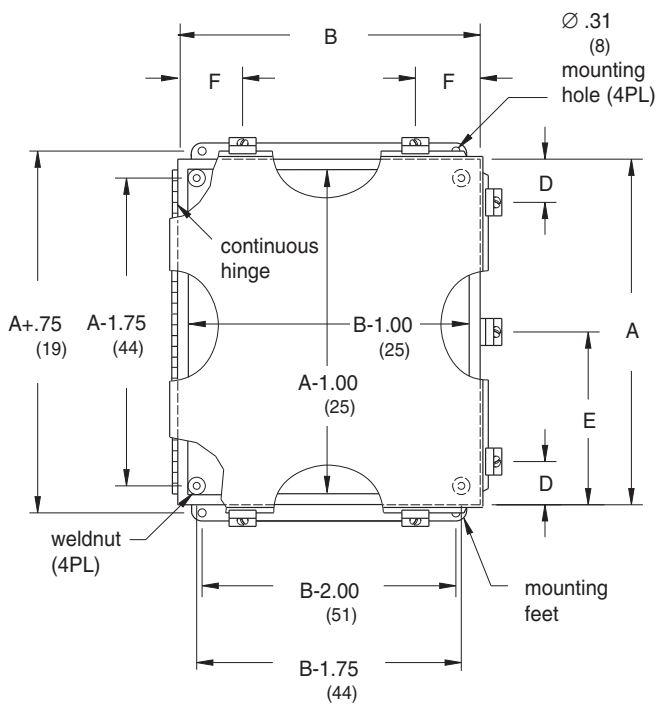
- Panels
- JIC terminal strap kit
- JIC terminal strip kit
- Terminal blocks
- Touch-up paint
- See Accessories section

Notes: Cooper B-Line can provide special sizes, finishes and other modifications. Consult the factory for your special requirements.

Type 4 Enclosures

Type 4 JIC Continuous Hinge Cover Enclosures Catalog Number

Enclosure Catalog Number	Enclosure Size Height x Width x Depth A x B x C		D		E		F		Panel Catalog Number	Panel Size Height x Width	
	in.	mm	in.	mm	in.	mm	in.	mm		in.	mm
443-4CHC	4.00	102	2.00	51	-	-	2.00	51	-	-	-
643-4CHC	6.00	152	3.00	76	-	-	2.00	51	AW64P	4.87x2.87	124x73
863.5-4CHC	8.00	203	4.00	102	-	-	3.00	76	AW86P	6.87x4.87	174x124
644-4CHC	6.00	152	3.00	76	-	-	2.00	51	AW64P	4.87x2.87	124x73
664-4CHC	6.00	152	3.00	76	-	-	3.00	76	AW66P	4.87x4.87	124x124
1084-4CHC	10.00	254	2.00	51	-	-	4.00	102	AW108P	8.87x6.87	225x174
12105-4CHC	12.00	305	3.00	76	-	-	2.00	51	AW1210P	10.87x8.87	276x225
1086-4CHC	10.00	254	2.00	51	-	-	4.00	102	AW108P	8.87x6.87	225x174
12126-4CHC	12.00	305	3.00	76	-	-	3.00	76	AW1212P	10.87x10.87	276x276
14126-4CHC	14.00	356	3.00	76	-	-	3.00	76	AW1412P	12.87x10.87	327x276
16146-4CHC	16.00	406	2.00	51	8.00	203	3.00	76	AW1614P	14.87x12.87	378x327



443-4CHC
643-4CHC
863.5-4CHC
644-4CHC
664-4CHC

1084-4CHC
1086-4CHC

12105-4CHC
12126-4CHC
14126-4CHC

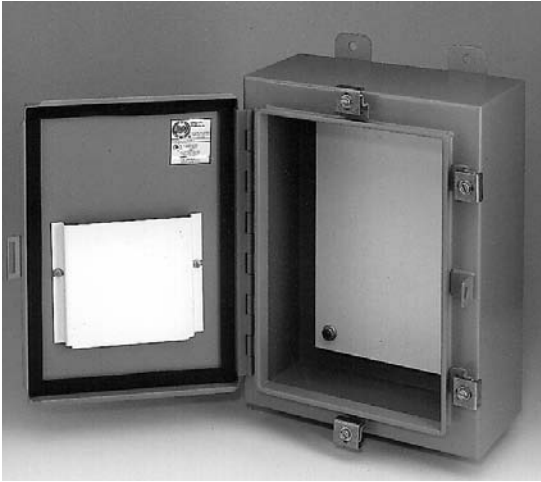
16146-4CHC

Cover Clamp
Layout

Notes: Dimensions are in inches. Millimeters shown are for reference only. Data subject to change without notice.

Type 4 Enclosures

Type 4 Single-Door Enclosures Data Sheet



Application

- Houses electrical controls and instruments
- Intended for indoor or outdoor use
- Protects against windblown dust and rain, splashing water and hose directed water

Standards

- UL 508 listed, Type 4, Type 13 and Type 12
- CSA C22.2 No.94 certified, Type 4, Type 13 and Type 12
- Conforms to NEMA standard for Type 4, Type 13 and Type 12
- Conforms to JIC standard EGP-1-1967
- IEC 60529, IP66

Type 4 Enclosures

Construction

- Enclosure and door are fabricated from code gauge steel, (see table)
- All continuous welded seams are finished smooth
- Doors are secured to the body with a heavy-duty continuous hinge on one side and easy-to-release stainless steel door clamps mounted to the other three sides
- Ground stud provided on door
- Formed lip around enclosure opening diverts liquids and contaminants
- Each door has a padlock hasp with sealing hole provision
- Print pocket provided
- Door has a fixed, oil and water-resistant gasket
- .375-16 collar studs are provided for mounting optional panel
- External mounting feet are provided for secure wall mounting

Finish

- Wash and phosphate undercoat
- ANSI 61 gray polyester powder finish

Accessories

- Panels
- NEMA terminal strap kit
- Terminal blocks
- Door lock kit
- Floor stand kit
- Touch-up paint
- See Accessories section

Notes: Cooper B-Line can provide special sizes, finishes and other modifications. Consult the factory for your special requirements.

Type 4 Enclosures

Type 4 Single-Door Enclosures Catalog Number

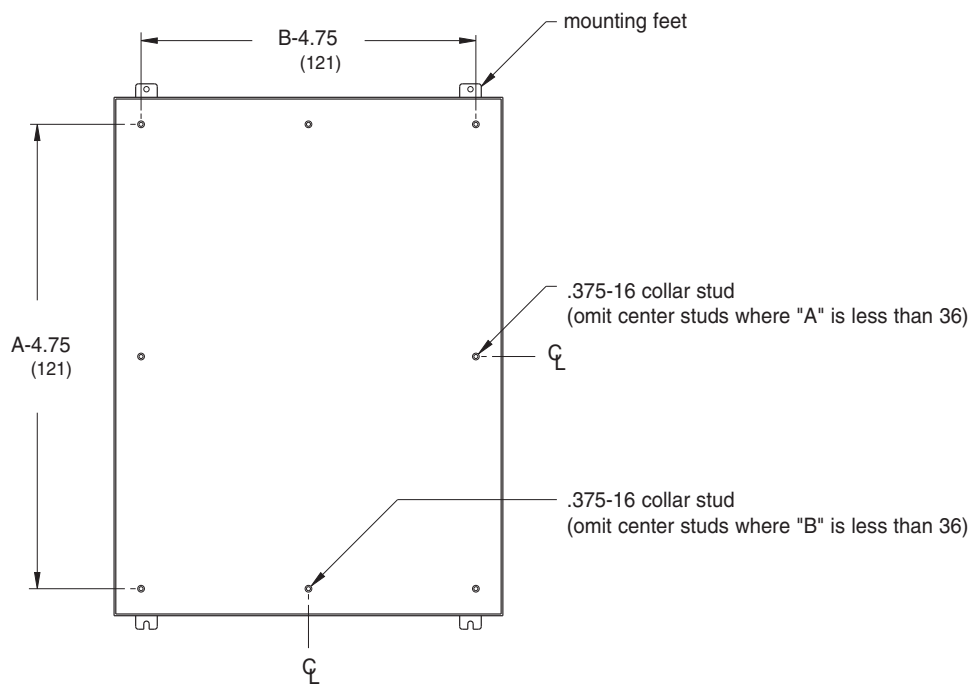
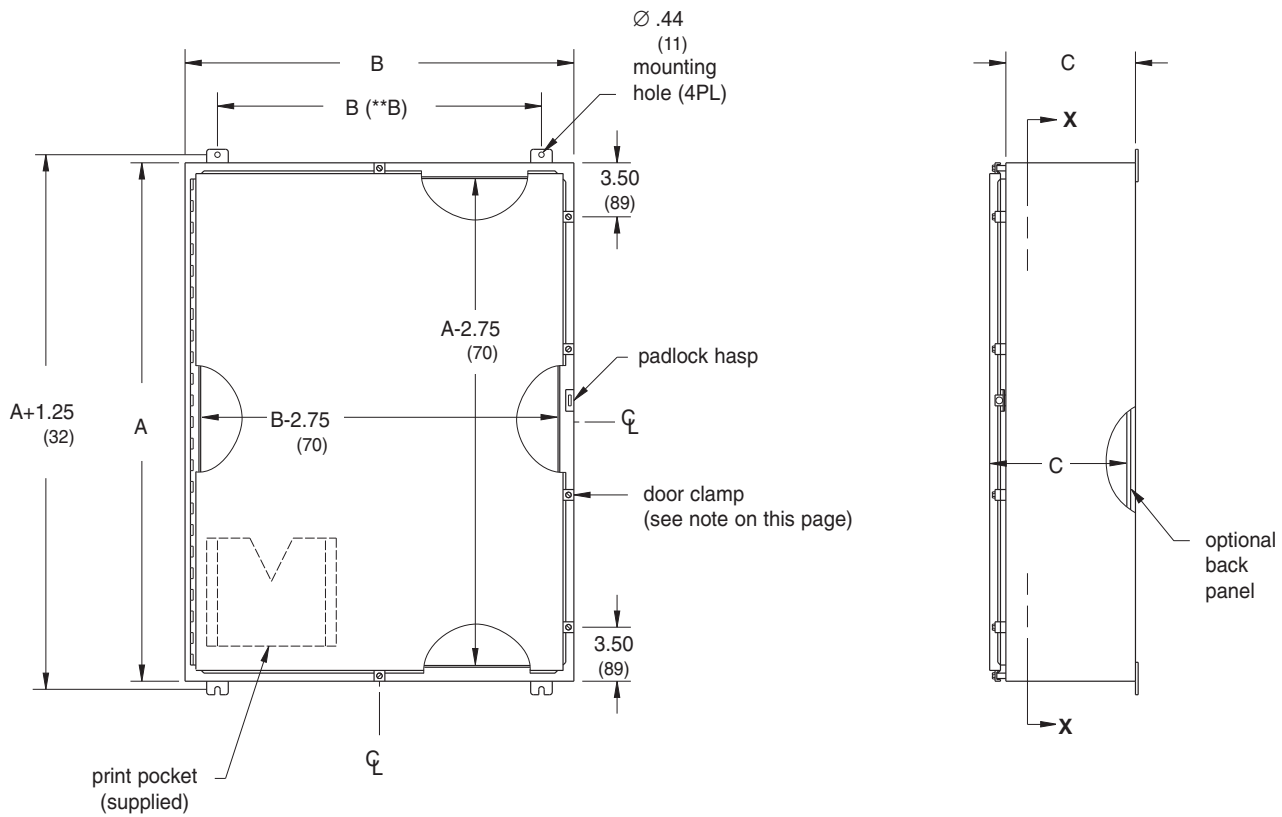
Enclosure Catalog Number	Enclosure Size Height x Width x Depth A x B x C		Gauge	Panel Catalog Number	Panel Size Height x Width	
	in.	mm			in.	mm
16126-4	16.00x12.00x6.00	406x305x152	16	AW1612P	13.00x9.00	330x229
16166-4	16.00x16.00x6.00	406x406x152	16	AW1616P	13.00x13.00	330x330
16206-4	16.00x20.00x6.00	406x508x152	16	AW2016P	13.00x17.00	330x432
20166-4	20.00x16.00x6.00	508x406x152	16	AW2016P	17.00x13.00	432x330
20206-4	20.00x20.00x6.00	508x508x152	16	AW2020P	17.00x17.00	432x432
24126-4	24.00x12.00x6.00	610x305x152	16	AW2412P	21.00x9.00	533x229
24166-4	24.00x16.00x6.00	610x406x152	16	AW2416P	21.00x13.00	533x330
24206-4	24.00x20.00x6.00	610x508x152	16	AW2420P	20.87x16.87	530x428
24246-4	24.00x24.00x6.00	610x610x152	14	AW2424P	20.87x20.87	530x530
30206-4	30.00x20.00x6.00	762x508x152	14	AW3020P	26.87x16.87	682x428
30246-4	30.00x24.00x6.00	762x610x152	14	AW3024P	26.87x20.87	682x530
36246-4	36.00x24.00x6.00	914x610x152	14	AW3624P	32.87x20.87	835x530
16128-4	16.00x12.00x8.00	406x305x203	16	AW1612P	13.00x9.00	330x229
20168-4	20.00x16.00x8.00	508x406x203	16	AW2016P	17.00x13.00	432x330
20208-4	20.00x20.00x8.00	508x508x203	16	AW2020P	17.00x17.00	432x432
20248-4	20.00x24.00x8.00	508x610x203	16	AW2024P	16.87x20.87	428x530
24208-4	24.00x20.00x8.00	610x508x203	16	AW2420P	20.87x16.87	530x428
24248-4	24.00x24.00x8.00	610x610x203	14	AW2424P	20.87x20.87	530x530
24308-4	24.00x30.00x8.00	610x762x203	14	AW3024P	20.87x26.87	530x682
30208-4	30.00x20.00x8.00	762x508x203	14	AW3020P	26.87x16.87	682x428
30248-4	30.00x24.00x8.00	762x610x203	14	AW3024P	26.87x20.87	682x530
30308-4	30.00x30.00x8.00	762x762x203	14	AW3030P	26.87x26.87	682x682
36248-4	36.00x24.00x8.00	914x610x203	14	AW3624P	32.87x20.87	835x530
36308-4	36.00x30.00x8.00	914x762x203	14	AW3630P	32.87x26.87	835x682
42308-4	42.00x30.00x8.00	1067x762x203	14	AW4230P	38.87x26.87	987x682
42368-4	42.00x36.00x8.00	1067x914x203	14	AW4236P	38.87x32.87	987x835
48368-4	48.00x36.00x8.00	1219x914x203	14	AW4836P	44.87x32.87	1140x835
60368-4	60.00x36.00x8.00	1524x914x203	14	AW6036P	56.87x32.87	1444x835
201610-4	20.00x16.00x10.00	508x406x254	16	AW2016P	17.00x13.00	432x330
242010-4	24.00x20.00x10.00	610x508x254	16	AW2420P	20.87x16.87	530x428
302410-4	30.00x24.00x10.00	762x610x254	14	AW3024P	26.87x20.87	682x530
363010-4	36.00x30.00x10.00	914x762x254	14	AW3630P	32.87x26.87	835x682
483010-4	48.00x30.00x10.00	1219x762x254	14	AW4830P	44.87x26.87	1140x682
483610-4	48.00x36.00x10.00	1219x914x254	14	AW4836P	44.87x32.87	1140x835
603610-4	60.00x36.00x10.00	1524x914x254	14	AW6036P	56.87x32.87	1444x835
302412-4	30.00x24.00x12.00	762x610x305	14	AW3024P	26.87x20.87	682x530
363012-4	36.00x30.00x12.00	914x762x305	14	AW3630P	32.87x26.87	835x682
483612-4	48.00x36.00x12.00	1219x914x305	14	AW4836P	44.87x32.87	1140x835
363016-4	36.00x30.00x16.00	914x762x406	14	AW3630P	32.87x26.87	835x682
483616-4	48.00x36.00x16.00	1219x914x406	14	AW4836P	44.87x32.87	1140x835
603616-4	60.00x36.00x16.00	1524x914x406	14	AW6036P	56.87x32.87	1444x835

Type 4 Enclosures

Notes: Dimensions are in inches. Millimeters shown are for reference only. Data subject to change without notice.

Type 4 Enclosures

Type 4 Single-Door Enclosures Illustration Sheet

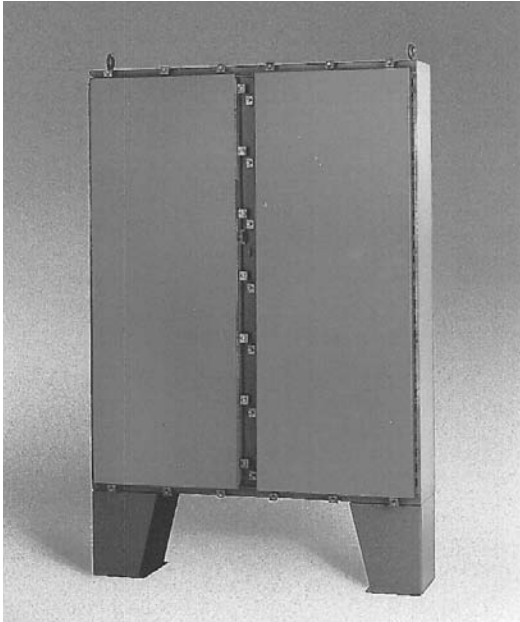


Section X-X

Notes: Dimensions: **B = (-2.50) if 12 inches wide; (-6.00) if wider than 12 inches. Clamps are mounted along three sides of the enclosure door. Spacing between clamps along side opposite the hinge does not exceed 15 inches. Dimensions are in inches. Millimeters shown are for reference only. Data subject to change without notice.

Type 4 Enclosures

Type 4 Double-Door Floor-Standing Enclosures Data Sheet



Application

- Houses electrical controls and instruments
- Intended for indoor or outdoor use
- Protects against windblown dust and rain, splashing water and hose directed water

Standards

- UL 508 listed, Type 4 and Type 12
- CSA C22.2 No.94 certified, Type 4 and Type 12
- Conforms to NEMA standard for Type 4 and Type 12
- Conforms to JIC standard EGP-1-1967
- IEC 60529, IP66

Construction

- Enclosure and door are fabricated from (10) gauge steel
- All continuous welded seams are finished smooth
- Each door is secured to the body with a heavy-duty continuous hinge on one side and easy-to-release stainless steel door clamps mounted to the other three sides
- Print pocket provided
- Each door has a padlock hasp with sealing hole provision
- Doors have a fixed, oil and water-resistant gasket
- Ground stud provided on doors
- Removable center post for complete front access
- Heavy gauge angle supports and .375-16 collar studs are provided for mounting optional panel
- Large lifting eyebolts are supplied
- Mounting legs are provided for floor mounting

Finish

- Wash and phosphate undercoat
- ANSI 61 gray polyester powder finish

Accessories

- Panels
- Leg stabilizer kit
- Touch-up paint
- See Accessories section

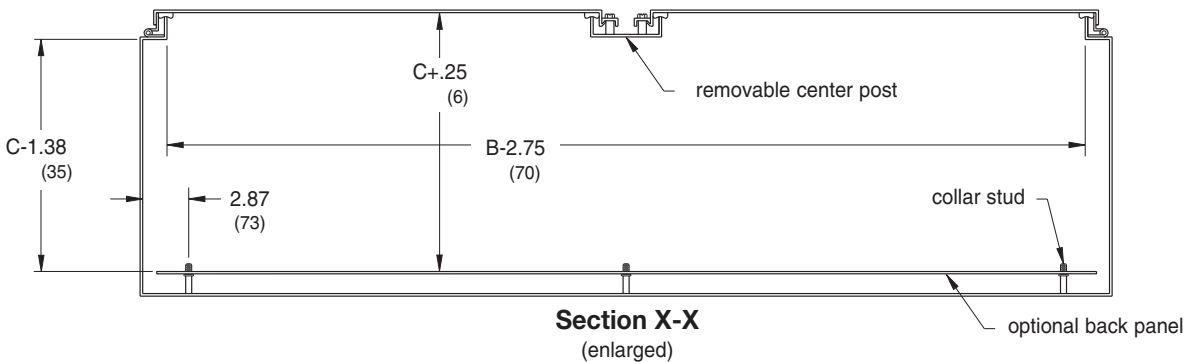
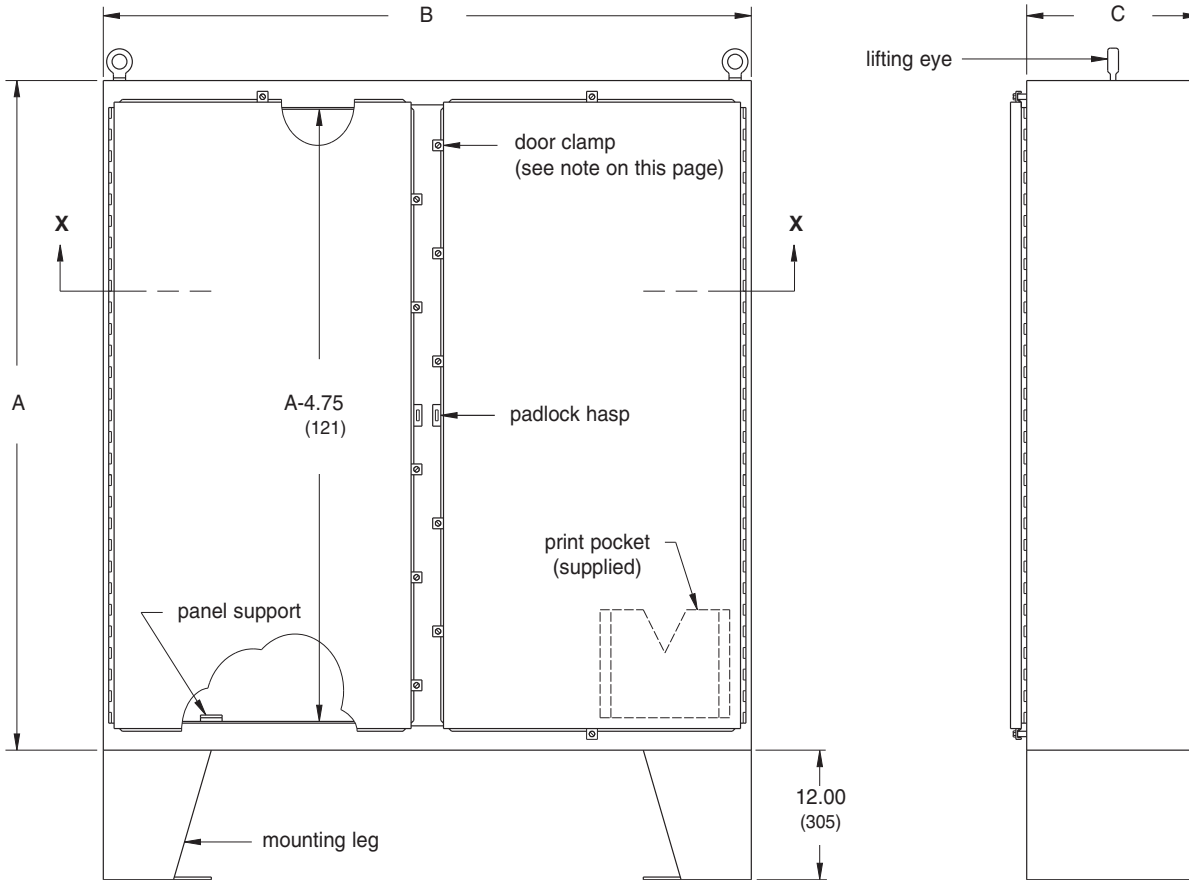
Notes: Cooper B-Line can provide special sizes, finishes and other modifications. Consult the factory for your special requirements.

Type 4 Enclosures

Type 4 Double-Door Floor-Standing Enclosures

Catalog Number

Enclosure Catalog Number	Enclosure Size Height x Width x Depth A x B x C		Panel Catalog Number	Panel Size Height x Width	
	in.	mm		in.	mm
624810-4FD	62.00x48.00x10.00	1575x1219x254	AW6048P	55.87x43.87	1419x1114
626012-4FD	62.00x60.00x12.00	1575x1524x305	AW6060P	55.87x55.87	1419x1419
746012-4FD	74.00x60.00x12.00	1880x1524x305	AW7260P	67.87x55.87	1724x1419
747212-4FD	74.00x72.00x12.00	1880x1829x305	AW7272P	67.87x67.87	1724x1724
747224-4FD	74.00x72.00x24.00	1880x1829x610	AW7272P	67.87x67.87	1724x1724

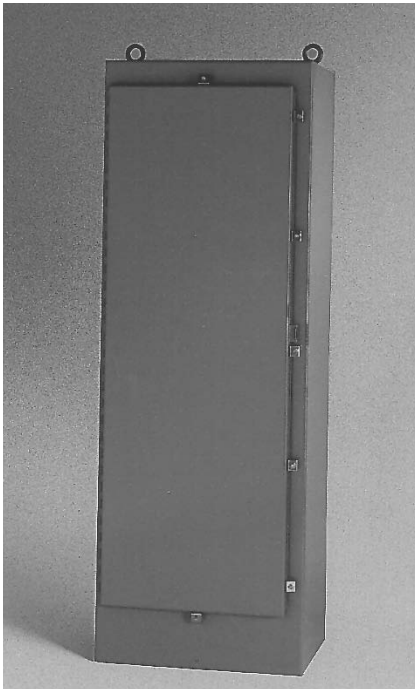


Notes: Clamps are mounted along three sides of the enclosure door. Spacing between clamps along side opposite the hinge does not exceed 15 inches. Four lifting eyes are furnished when C dimension is 24" (610 mm). Dimensions are in inches. Millimeters shown are for reference only. Data subject to change without notice.

Type 4 Enclosures

Type 4 Enclosures

Type 4 Free-Standing Enclosures Data Sheet



Application

- Houses electrical controls and instruments
- Easy access fixed or swing panels for mounting optional equipment
- Intended for indoor or outdoor use
- Protects against windblown dust and rain, splashing water and hose directed water

Standards

- UL 508 listed, Type 4 and Type 12
- CSA C22.2 No.94 certified, Type 4 and Type 12
- Conforms to NEMA standard for Type 4 and Type 12
- Conforms to JIC standard EGP-1-1967
- IEC 60529, IP66

Construction

- Enclosure and door are fabricated from (12) gauge steel
- All continuous welded seams are finished smooth
- Doors are secured to the body with a heavy-duty continuous hinge on one side and easy-to-release stainless steel door clamps mounted to the other three sides
- Door has a fixed oil and water-resistant gasket
- Ground stud provided on door
- Each door has a padlock hasp with sealing hole provision
- Print pocket provided
- Large lifting eyebolts are supplied
- Mounting channels are welded inside for locating panels along enclosure depth
- **A variety of optional panels and accessories are available (see accessories pages 161-162)**

Finish

- Wash and phosphate undercoat
- ANSI 61 gray polyester powder finish

Accessories

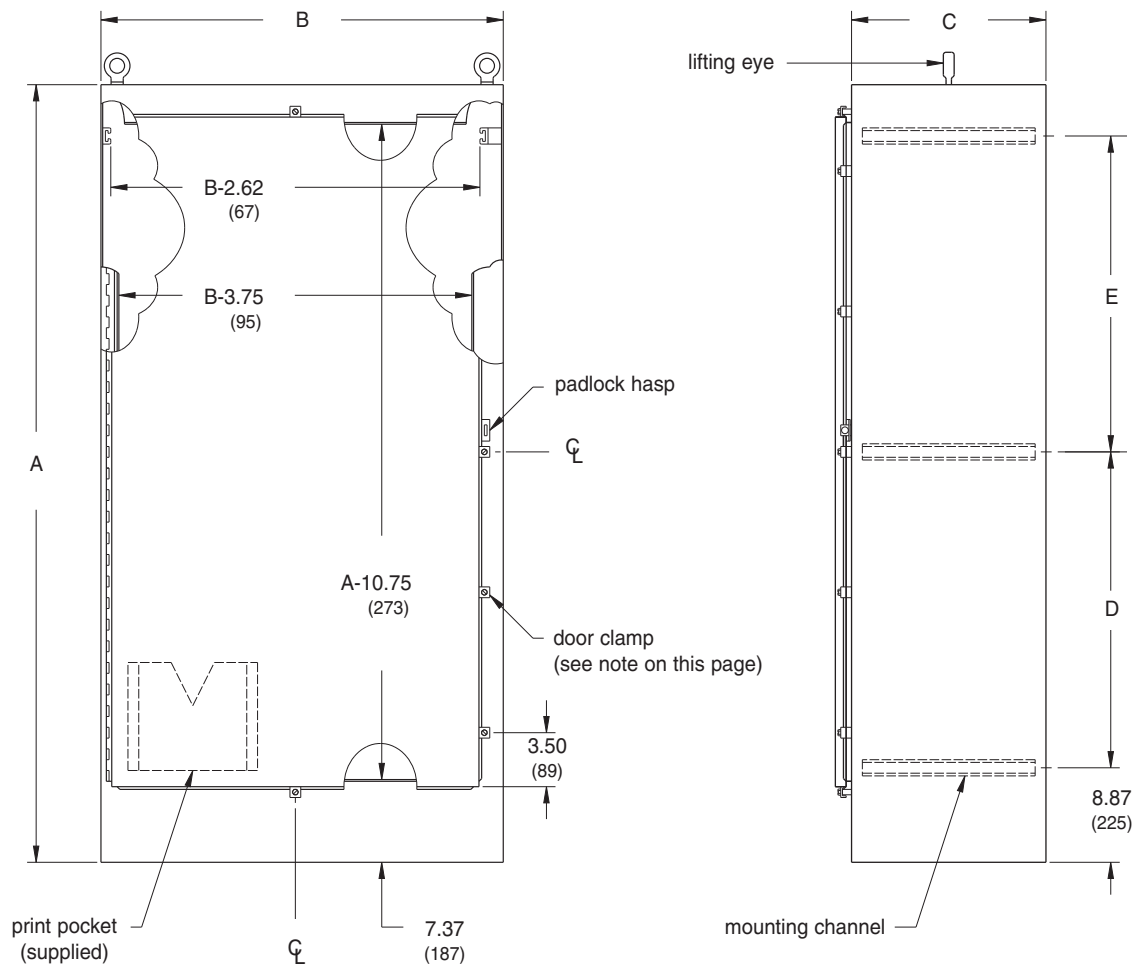
- Full and half panels
- Side panels
- Swing panels
- Channel mounting hardware
- Touch-up paint
- See Accessories section

Notes: Cooper B-Line can provide special sizes, finishes and other modifications. Consult the factory for your special requirements.

Type 4 Enclosures

Type 4 Free-Standing Enclosures Catalog Number

Enclosure Catalog Number	Enclosure Size Height x Width x Depth A x B x C		D		E	
	in.	mm	in.	mm	in.	mm
722518-4FS	72.00x25.00x18.00	1829x635x457	29.12	740	29.12	740
723118-4FS	72.00x31.00x18.00	1829x787x457	29.12	740	29.12	740
723718-4FS	72.00x37.00x18.00	1829x940x457	29.12	740	29.12	740
722524-4FS	72.00x25.00x24.00	1829x635x610	29.12	740	29.12	740
723124-4FS	72.00x31.00x24.00	1829x787x610	29.12	740	29.12	740
723724-4FS	72.00x37.00x24.00	1829x940x610	29.12	740	29.12	740



Notes: Clamps are mounted along three sides of the enclosure door. Spacing between clamps along side opposite the hinge does not exceed 15 inches.

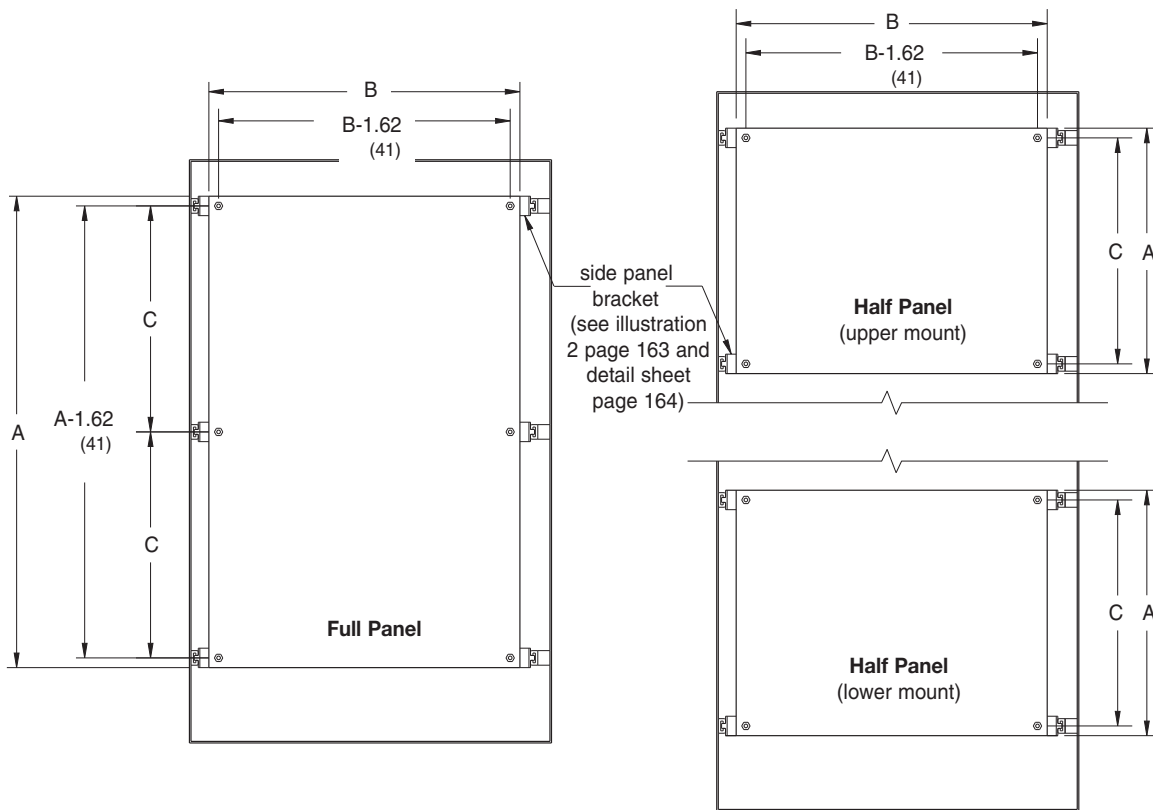
Dimensions are in inches. Millimeters shown are for reference only. Data subject to change without notice.

Type 4 Enclosures

Type 4 Free-Standing Enclosures Full and Half Panel Accessories Catalog Number

Full Panel						
Panel	Panel Size Height x Width A x B		C		Fits Enclosure Height x Width	
Catalog Number	in.	mm	in.	mm	in.	mm
AF7224P	59.87x19.87	1521x505	29.12	740	72.00x25.00	1829x635
AF7230P	59.87x25.87	1521x657	29.12	740	72.00x31.00	1829x787
AF7236P	59.87x31.87	1521x809	29.12	740	72.00x37.00	1829x940

Half Panel						
Panel	Panel Size Height x Width A x B		C		Fits Enclosure Height x Width	
Catalog Number	in.	mm	in.	mm	in.	mm
AF7224HP	30.75x19.87	781x505	29.12	740	72.00x25.00	1829x635
AF7230HP	30.75x25.87	781x657	29.12	740	72.00x31.00	1829x767
AF7236HP	30.75x31.87	781x809	29.12	740	72.00x37.00	1829x940



Full Panel Mounting

Half Panel Mounting

Note: Full Panel and Half Panel for Free-Standing Enclosures are (12) gauge steel with a white polyester powder finish and furnished with Panel Brackets and all hardware necessary for channel and panel mounting. Half Panels can be mounted in either the upper or lower portion of the enclosure. Free-Standing design permits the panel to adjust along the depth of the enclosure.

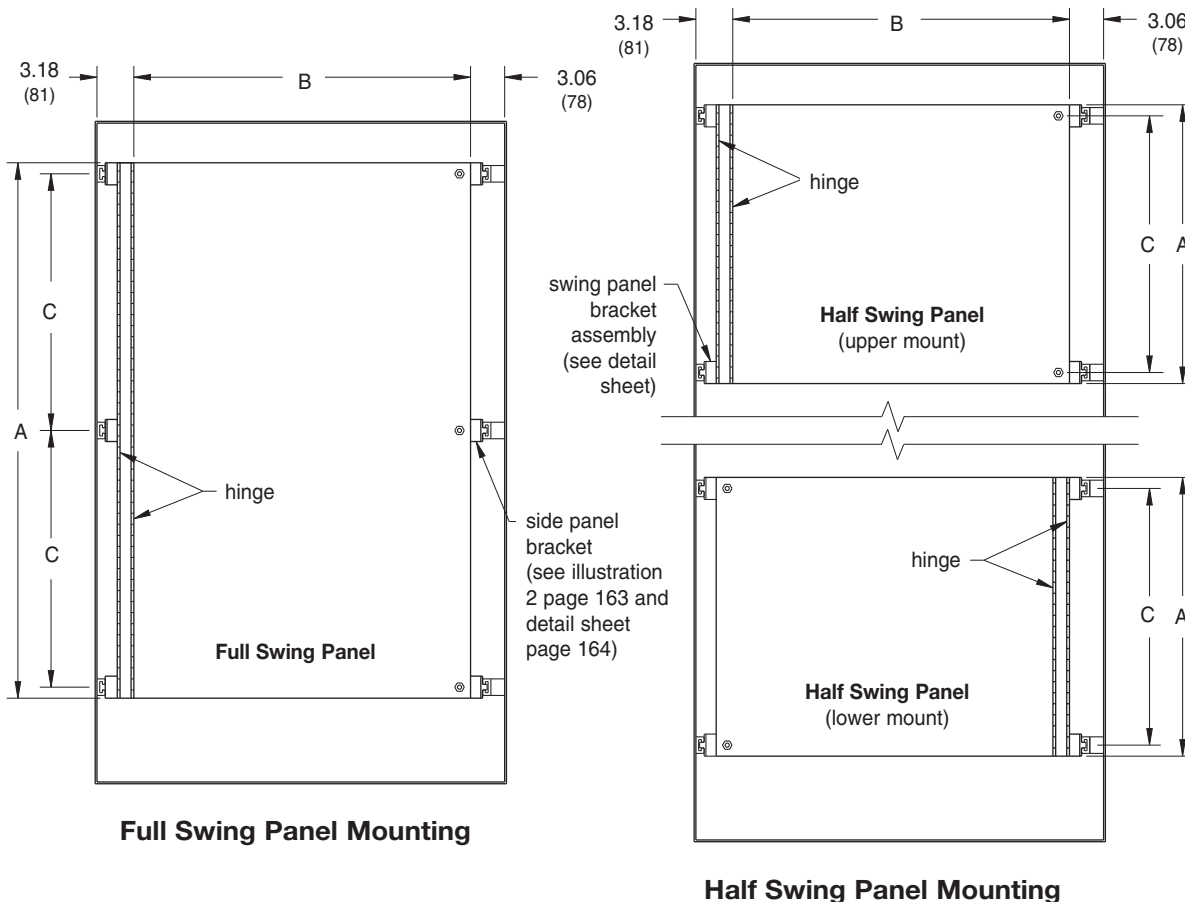
Notes: Dimensions are in inches. Millimeters shown are for reference only. Data subject to change without notice.

Type 4 Enclosures

Type 4 Free-Standing Enclosures Full and Half Swing Panel Accessories Catalog Number

Full Swing Panel						
Panel Catalog Number	Panel Size Height x Width A x B		C		Fits Enclosure Height x Width	
	in.	mm	in.	mm	in.	mm
AF7224SWP	59.87	1521	29.12	740	72.00	1829
AF7230SWP	59.87	1521	29.12	740	72.00	1829
AF7236SWP	59.87	1521	29.12	740	72.00	1829

Half Swing Panel						
Panel Catalog Number	Panel Size Height x Width A x B		C		Fits Enclosure Height x Width	
	in.	mm	in.	mm	in.	mm
AF7224HSWP	30.75	781	29.12	740	72.00	1829
AF7230HSWP	30.75	781	29.12	740	72.00	1829
AF7236HSWP	30.75	781	29.12	740	72.00	1829



Note: Full Swing Panel and Half Swing Panel for Free-Standing Enclosures are (12) gauge steel with a white polyester powder finish, have a dual hinge swing panel bracket, and furnished with Panel Brackets and all hardware necessary for channel and panel mounting. Panels can be installed so they hinge either on the left or the right side. Half Panels can be mounted in either the upper or lower portion of the enclosure. Free-Standing design permits the panel to adjust along the depth of the enclosure. The dual hinge will allow the inner panel to swing completely out of the door opening when within 5.50 inches of the front.

Notes: Dimensions are in inches. Millimeters shown are for reference only. Data subject to change without notice.

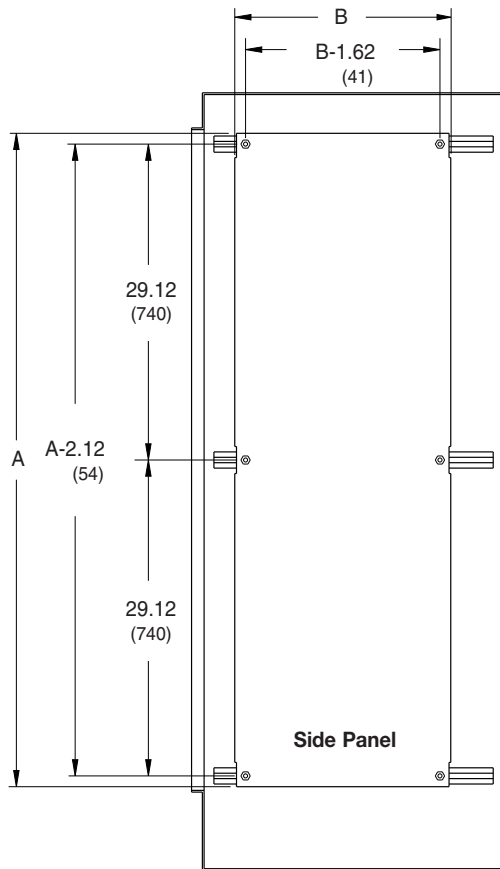
Type 4 Enclosures

Type 4 Free-Standing Enclosures Side Panel and Miscellaneous Accessories Catalog Number

Side Panel				
Panel	Panel Size Height x Width A x B		Fits Enclosure Height x Width	
Catalog Number	in.	mm	in.	mm
AF7218SP*	60.37x13.87	1533x352	72.00x18.00	1829x457

* Back panel may restrict the movement of the side panel.

Miscellaneous Accessories			
Catalog Number	Description	Illustration	Quantity
AFCMH3	Channel mounting hardware	1	3
AFSBRKT1	Panel mounting side bracket	2	1



Side Panel Mounting

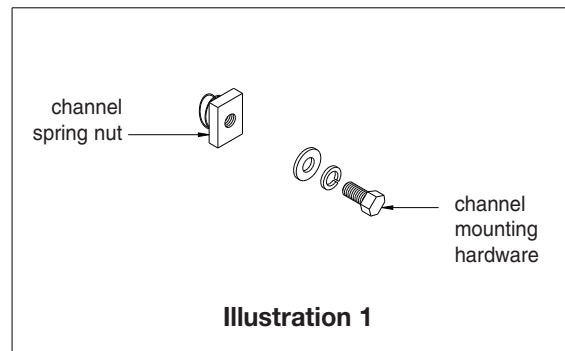


Illustration 1

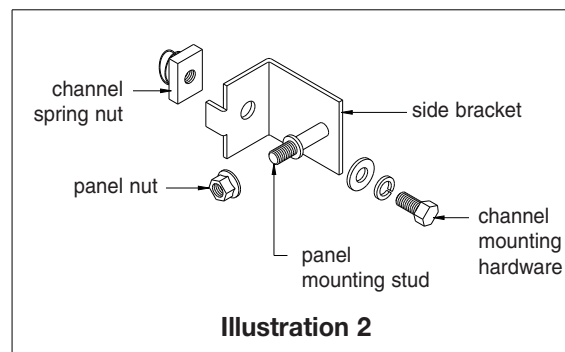


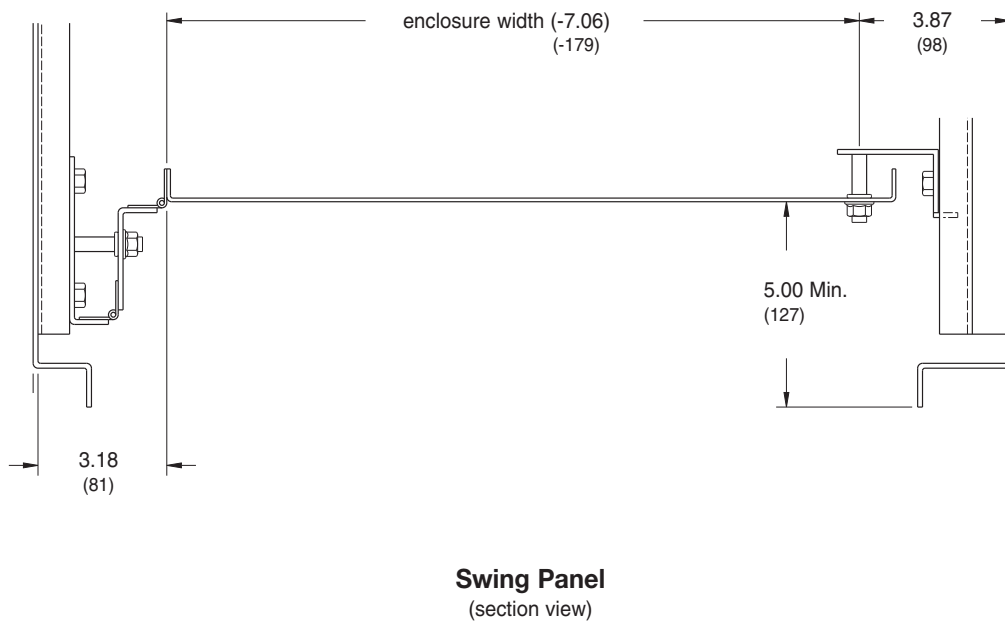
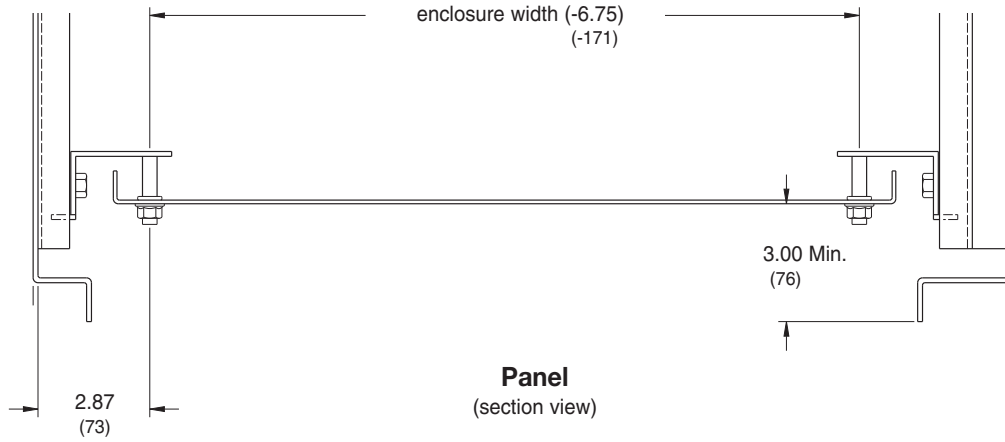
Illustration 2

Note: Side Panels are (12) gauge steel with a white polyester powder finish and furnished with hardware necessary for channel mounting. They will fit any width enclosure and are adjustable along its depth. However, when Full or Half Panels are installed, movement will be restricted.

Notes: Dimensions are in inches. Millimeters shown are for reference only. Data subject to change without notice.

Type 4 Enclosures

Type 4 Free-Standing Enclosures Panel and Enclosure Detail Detail Sheet



Type 4 Enclosures

Notes: Dimensions are in inches. Millimeters shown are for reference only. Data subject to change without notice.