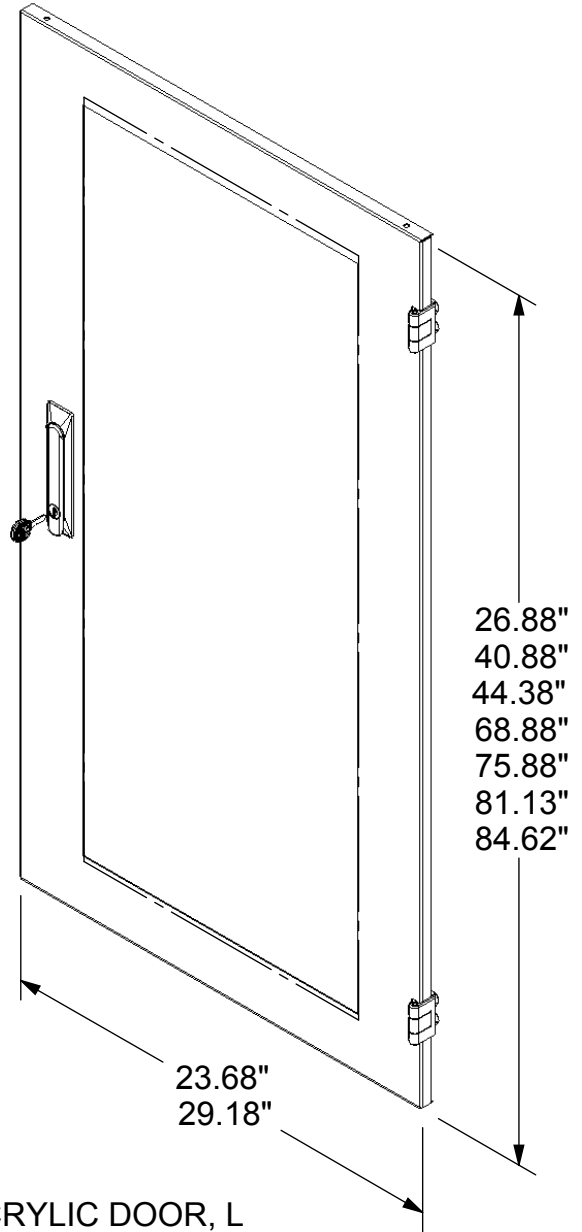


DESCRIPTION	WEIGHT (lbs)
14U X 24"W ACRYLIC DOOR	12.2
14U X 29.5"W ACRYLIC DOOR	14.3
22U X 24"W ACRYLIC DOOR	17.0
22U X 29.5"W ACRYLIC DOOR	20.1
24U X 24"W ACRYLIC DOOR	18.5
24U X 29.5"W ACRYLIC DOOR	21.9
38U X 24"W ACRYLIC DOOR	27.4
38U X 29.5"W ACRYLIC DOOR	32.5
42U X 24"W ACRYLIC DOOR	29.9
42U X 29.5"W ACRYLIC DOOR	35.6
45U X 24"W ACRYLIC DOOR	31.8
45U X 29.5"W ACRYLIC DOOR	37.9
47U X 24"W ACRYLIC DOOR	33.1
47U X 29.5"W ACRYLIC DOOR	39.3



ACRYLIC DOOR, L
w/SWING SINGLE LOCK
SHOWN HERE

- 16GA STEEL CONSTRUCTION
- ACRYLIC SHEET
- DOOR LOCK OPTIONS AVAILABLE
- DOOR DESIGN ALLOWS FOR 180 DEGREE OPENING EVEN WHEN GANGED TOGETHER
- DOORS ARE EASILY FIELD REVERSIBLE
- GROUNDING STUDS INCLUDED
- FINISH: ACCESS GRAY (A)
BLACK POWDER (B)

VD	A	S	42	24	A
V-Line Door	Style	Door Lock	Height (u)	Width (in)	Color
VD	A Acrylic L	S Swing Single	14	24	A Gray
	B Acrylic R	C Combo Single	22	29	B Black
		T Swing 3 Point	24		
		D Combo 3 Point	38		
		P 1 Pal 2 Point	42		
			45		
			47		

THIS DRAWING AND/OR THE TECHNICAL INFORMATION CONTAINED HEREON IS THE PROPERTY OF COOPER B-LINE, INC. ("B-LINE"), AND IS ISSUED IN CONFIDENCE FOR B-LINE ENGINEERING PURPOSES ONLY AND MAY NOT BE REPRODUCED OR USED FOR ANY PURPOSE WHATSOEVER WITHOUT THE EXPRESS WRITTEN PERMISSION OF B-LINE TO THE USER. THIS DRAWING AND/OR TECHNICAL INFORMATION IS THE PROPERTY OF B-LINE AND IS LOANED FOR MUTUAL ASSISTANCE. TO BE RETURNED WHEN ITS INTENDED PURPOSE HAS BEEN SERVED.



13755 Stead Blvd.
Reno, NV 89506
Phone (775) 677-0855
FAX (775) 677-1429
www.cooperbline.com

SUBMITTAL DRAWING

TITLE:
V-LINE DOOR ASSEMBLY,
ACRYLIC

REFERENCE DWG(S):

SUBMITTAL NO:
S00016629

DRAWN BY: SSINGH
REV: A

DATE:
05/20/09

MODEL SOURCE FILE:
00016629

REV:
00

SHEET:
1 OF 1

EQUIPMENT FURNISHED HAS BEEN FABRICATED IN ACCORDANCE WITH THIS DRAWING.