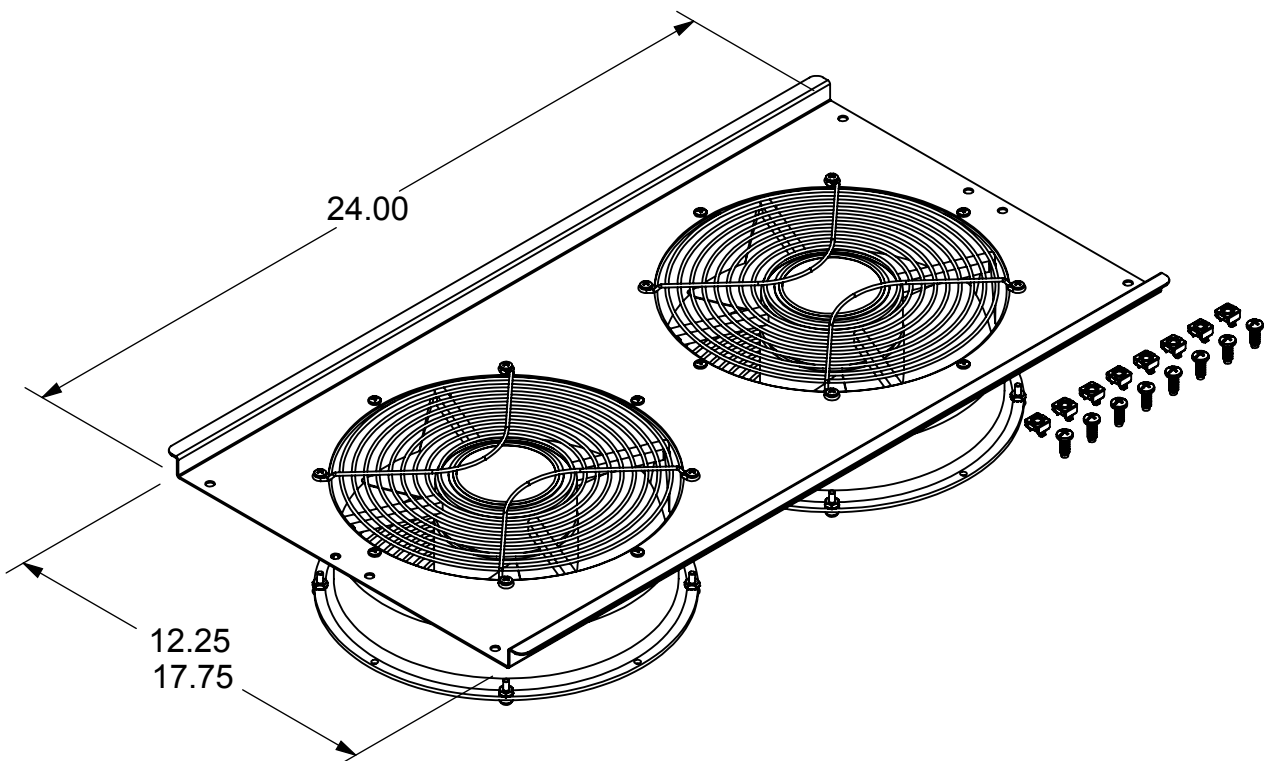


DESCRIPTION	WEIGHT (lbs)
V LINE TOP PANEL ASSY, 1100 CFM FAN, 24"W X 30,36,42,48"D	22.0
V LINE TOP PANEL ASSY, 1100 CFM FAN, 29.5"W X 30,36,42,48"D	23.9



ASSEMBLY INCLUDES:

- FAN TOP PANEL
- TWO (2) AC FANS, 550 CFM
- POWER CHORD
- EIGHT (8) #12-24 CAGE NUTS & SCREWS

FINISH:


- B (BLACK POWDER)
- A (ACCESS GRAY)

MATERIAL:

- 16 GAUGE STEEL

VTP	1	A	B
V-Line top Panel	Style	Cabinet size	Color
VTP	1 1100 CFM	A 24Wx 30,36,42,48D B 29Wx 30,36,42,48D	A Gray B Black

THIS DRAWING AND/OR THE TECHNICAL INFORMATION CONTAINED HEREON IS THE PROPERTY OF COOPER B-LINE, INC. ("B-LINE"), AND IS ISSUED IN CONFIDENCE FOR B-LINE ENGINEERING PURPOSES ONLY AND MAY NOT BE REPRODUCED OR USED FOR ANY PURPOSE WHATSOEVER WITHOUT THE EXPRESS WRITTEN PERMISSION OF B-LINE TO THE USER. THIS DRAWING AND/OR TECHNICAL INFORMATION IS THE PROPERTY OF B-LINE AND IS LOANED FOR MUTUAL ASSISTANCE. TO BE RETURNED WHEN ITS INTENDED PURPOSE HAS BEEN SERVED.

 <p>509 West Monroe St. Highland, IL 62249 Phone (800) 851-7415 FAX (800) 356-1438 www.cooperbline.com</p>	SUBMITTAL DRAWING		REFERENCE DWG(S): 00016612	SUBMITTAL NO: S00016612	
	TITLE: V-LINE TOP PANEL 1100 CFM FAN			DRAWN BY: RLM	REV. A
				DATE: 5/18/09	
	EQUIPMENT FURNISHED HAS BEEN FABRICATED IN ACCORDANCE WITH THIS DRAWING.		MODEL SOURCE FILE: 00016612	REV: 00	SHEET: 1 OF 1